

HARVESTING PRODUCT SUPPORT

2021 EDITION



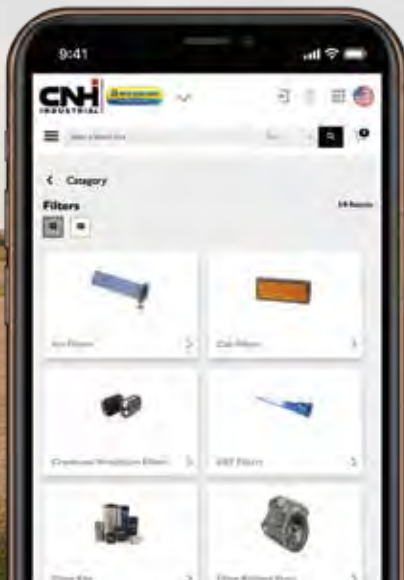
GRAIN PLATFORM KITS | CORN HEADER KITS | PICKUP HEADERS
CR SERIES | CX SERIES | TR SERIES | REMAN | ACCESSORIES



Introducing our new parts website:

MyCNHiStore.com

Any Part. Anywhere. Anytime.



Fast and Easy Access to Parts 24/7/365.

With MyCNHiStore.com, you can manage parts for your entire fleet at any time, from anywhere – all from the convenience of your laptop or phone. Just search by category, model or part number and keep your equipment running efficiently with genuine New Holland parts. Get in and out with a simple, secure checkout and save your list so ordering next time is even faster. So next time you need a part and don't have time to wait, visit MyCNHiStore.com and get it done faster.

Best-In-Class User Experience

Updated features include:

- User-friendly design
- Updated photos to help you locate the correct part
- Advanced search options
- Easier-to-read part names with more detailed descriptions
- Easy checkout process



Visit Us On MyCNHiStore.com and Get the Parts You Need Now.





HARVESTING PRODUCT SUPPORT

The replacement parts and kits in the following pages are designed to increase the productivity and efficiency of your New Holland combine and harvesting equipment.

All of our kits feature premium OEM parts for unrivaled compatibility. For your convenience, all kits in this book were assembled with all the required repair parts and hardware. Please note: only a sample of these parts are highlighted in this catalog.

To see the full New Holland Agriculture parts offering, please visit us online at partstore.agriculture.newholland.com or see your local New Holland Agriculture dealer.

Some of the featured kits are the direct result of feedback from customers like you. Our engineers use your comments and suggestions to help design new kits or modify existing ones. And thank you for helping us help you.

Please see your local New Holland Agriculture dealer for your next combine repair or upgrade. They have the training and experience to help you prepare for the next crop. Thank you for your continued business and for helping make New Holland Agriculture an industry leader in innovative harvesting.

Contents

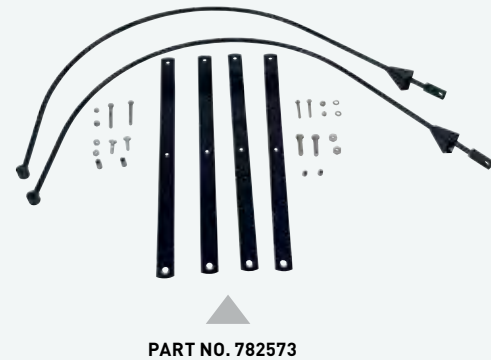
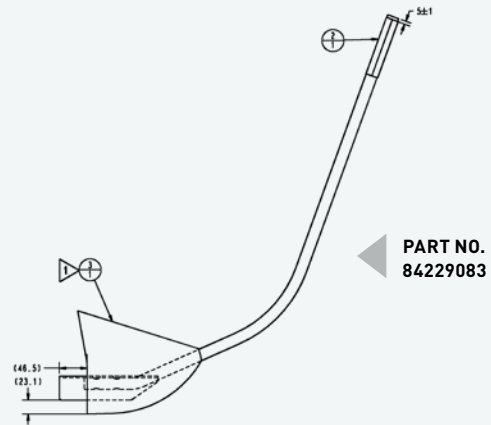
Grain Platform Kits	4
Corn Header Kits	16
Pickup Headers	36
Combine Kits – CR	37
Combine Kits – CX	56
Combine Kits – TR	66
Remanufactured Parts	72
Accessories	76
Index	97



GRAIN PLATFORM KITS

CROP DIVIDERS

Part No.	Description	Application	Includes
84229083	Rod End Divider	740 headers	Divider plus hardware
782573	Crop Divider - Short	72C, 74C headers	Components for both LH and RH dividers Loop (old style). Recommended for short to medium standing crops.
84196744	Crop Divider Kit - Short	High-Capacity, Varifeed and 720CG headers	Components for both LH and RH dividers
84050760	Add on Auger Extension	720CG	-
84081247	Fixed Short Dividers	760CG, 720CG	-
84110554	Crop Distribution	720CG	-
48031336	Left Hand Divider Kit	740CF	-
48031342	Right Hand Divider Kit	740CF	-



CUTTERBAR KITS

Cutterbar Rebuild Kits

Includes: Guards, hold-down clips, wear plates and hardware (may include the knife depending on ordering option)

Restore your grain header to “like-new” performance with a complete cutterbar rebuild kit.

- Handy service four-pack to repair two-foot sections or two-pack to repair one-foot sections
- Kits for 3" and 1-1/2" systems
- Double heat-treated guard for longer wear-life and improved toughness



▲ 3" SYSTEM

CUTTERBAR KITS FOR 840CD & 880CF DRAPERS DEPOT

Part No.	Description
47795012	Standard Guard w/o Knives, 30 ft.
47795016	Standard Guard w/o Knives, 35 ft.
47795023	Standard Guard w/o Knives, 40 ft.
47795024	Standard Guard w/o Knives, 45 ft.
47795025	Standard Guard w/ Knives, 30 ft.
47795026	Standard Guard w/ Knives, 35 ft.
47795027	Standard Guard w/ Knives, 40 ft.
47795028	Standard Guard w/ Knives, 45 ft.

CUTTERBAR KITS FOR 82C, 83C & 86C DRAPERS DEPOT

Part No.	Description
48067874	Single Drive w/ Knives, 30 ft. Fine
48067876	Single Drive w/ Knives, 30 ft. Coarse
48067875	Single Drive w/ Knives, 35 ft. Fine
48067879	Single Drive w/ Knives, 35 ft. Coarse

CUTTERBAR KITS FOR 83C & 86C DRAPERS DEPOT

Part No.	Description
48103332	Double Drive w/ Knives, 40 ft. Fine

1-1/2" CUTTERBAR KITS DFS

Header Size	Drive	Model	Kit W/O Knife	Kit W/ Knife
20'	Single	71C, 72C, 73C, 74C headers	87297082	87297099
20' Flex	Double	71C, 72C, 73C, 74C headers	87297093	87297110
25' Flex	Double	71C, 72C, 73C, 74C headers	87297094	87297111
30' Flex	Double	71C, 72C, 73C, 74C headers	N/A	87297112
25' [rice only]	Double	71C, 72C, 73C, 74C headers	87297096	87297113

3" CUTTERBAR KITS DFS

Header Size	Drive	Application	Model	Kit W/O Knife	Kit W/Knife
20' Rigid	Single	Fixed	71C	87297080	87297097
25' Rigid	Double	Fixed	71C	87297086	87297103
30' Rigid	Double	Fixed	71C	87297087	87297104
20' Flex	Double	Fixed	73C	87297083	87297100
25' Flex	Double	Fixed	73C	87297135	N/A
30' Flex	Double	Fixed	73C	87297085	N/A
30' Flex	Double	Adjustable	74C	87297976*	N/A

* Depot.

CUTTERBAR KITS FOR 740 CF HEADERS DEPOT

Includes: Guards, hold-down clips, wear plates and hardware (kits may not include knife depending on ordering options)

Header Size	Std Guard Single Drive W/O Knives	Std Guard Single Drive W/ Knives	Std Guard Double Drive W/O Knives	Std Guard Double Drive W/ Knives
20'	47761081	47762795	N/A	N/A
25'	47761082	47762798	N/A	N/A
30'	47761085	47762799	47761128	47762851
35'	47761119	47762849	47761129	51403279

SICKLE ASSEMBLY KITS DEPOT

Application: 82C, 83C, 86C

Header Size	Part No.	Drive	Description	Qty.
30 Ft	48033375	Single	Coarse	1
	48033383	Double	Coarse, LH	1
	48033386	Double	Coarse, RH	1
35 Ft	48033379	Single	Coarse	1
	48033397	Double	Coarse, LH	1
40FT	48033398	Double	Coarse, RH	1
	48033380	Single	Coarse	1
40 Ft	48033399	Double	Coarse, LH	1
	48033403	Double	Coarse, RH	1
45 Ft	48033404	Double	Coarse, LH	1
	48033405	Double	Coarse, RH	1

CUTTING PARTS

Genuine New Holland Cutting Parts

Every component in the cutting system is designed and tested by New Holland engineering and manufactured only by approved suppliers.

- New Holland sections are made from high carbon steel with induction-hardened cutting edge for superior wear life
- The center of the New Holland section is very ductile for improved toughness
- Top serrated sections are self-sharpening for a cleaner, smoother cut
- The back edge of most New Holland sections are hardened for superior durability



KNIVES

Part No.	Description	Application
86900832	LH 20'	72C - 74C headers
86900833	RH 20'	72C - 74C headers
86900834	LH 25'	72C - 74C headers
86900835	RH 25'	72C - 74C headers
86977981	LH 30'	72C - 74C headers
86977982	RH 30'	72C - 74C headers

SECTIONS

Part No.	Description	Application
86616529	3" End - RH Fine 14 Ser/Inch	72C - 74C headers
86616528	3" End - LH Fine 14 Ser/Inch	72C - 74C headers
86616527	3" Main - Fine 14 Ser/Inch	72C - 74C headers
86616693	3" End - RH Coarse 10 Ser/Inch	72C - 74C headers
86616692	3" End - LH Coarse 10 Ser/Inch	72C - 74C headers
86616689	3" Main - Coarse 10 Ser/Inch	72C - 74C headers
87728905	3" Main - Coarse 10 Ser/Inch	740CF
47980548	3" Main - Fine 14 Ser/Inch	740CF
47678533	3" Main - Coarse 10 Ser/Inch	84C, 88C
1327448C1	3" Main - Fine 14 Ser/Inch	84C, 88C
84242662	3" Main - Coarse 10 Ser/Inch	88C, HB drapers
84158455	3" Main - Fine 14 Ser/Inch	88C, HB drapers

New Holland knife sections are made with a special hardening process throughout – in addition to the cutting edges, this process is used on the back to the same hardness as the header wear plates and guards. This ensures a well-balanced wearing of all the components.



▲ PART NO. 86616527



▲ PART NO. 86616689



▲ PART NO. 87728905



▲ PART NO. 47678533

CUTTING PARTS

Segmented Sickle Assemblies

Application: 740CF headers

- Prevents shipping damage; overall shippable length of the complete assembly is no more than nine feet
- OEM production quality components, the same supplier as current CNH Industrial North American production assemblies is used
- Greater flexibility of dealer inventory; segmented sections can be added or subtracted to adjust the overall length of the sickle assemblies
- Overlapping re-reinforcement joint, "Lickety-Split™" is actually stronger than the original knife back, allowing the final assembly to perform as well as a one-piece sickle

Bolted-3" Coarse Sections			Hardware											
Complete Sickle Assembly	Platform Length	Number Of Knife Sections	Knife Section	Knifehead		Assembly		Fastener Locknut	Section Bridge		Assembly Segments			
				Part No.	Qty	Part No.	Qty		Part No.	Qty	Head	Part No.	Description	Qty
48185470*	20" Split	80	87728905	84429101	9	87663841	145	84429102			84275285	48185460*	Head	1
				84543491	4							84585645	Center	1
					4							84585654	Tail	1
												84585647	Splice Kit	2
48185468*	25" Split	100	87728905	84429101	9	87663841	185	84429102	321848A1	16	84275285	48185458*	Head	1
				84543491	4							84585645	Center	1
					4							84585652	Tail	1
												84585647	Splice Kit	2
48185466*	30" Split	120	87728905	84429101	9	87663841	225	84429102	321848A1	32	84275285	48185458*	Head	1
				84543491	4							84585643	Center	1
					4							84585645	Center	1
												84585650	Tail	1
												84585647	Splice Kit	3
48185478*	30" LH Split	58	87728905	84429101	9	87663841	99	84429102			84275285	48185460*	Head	1
				87470187	4	87470018	7					84585661	Center	1
				87470188	4							84585647	Splice Kit	1
48185477*	30" RH Split	57	87728905	84429101	9	87663841	92	84429102			84275285	48185462*	Head	1
				87470186	4	84429100	5					84585660	Tail	1
					4	87470018	6					84585647	Splice Kit	1
48185464*	35" Split	140	87728905	84429101	9	87663841	265		321848A1	48	84275285	48185458*	Head	1
				84543491	4							84585643	Center	1
					4							84585645	Center	2
												84585648	Tail	1
												84585647	Splice Kit	4
48185480*	35" LH Split	68	87728905	84429101	9	87663841	119				84275285	48185460*	Head	1
				87470187	4	87470018	7					84585645	Center	1
				87470188	4							84585663	Tail	1
48185479*	35" RH Split	67	87728905	84429101	9	87663841	112				84275285	48185462*	Head	1
				87470186	4	84429100	5					84585662	Tail	1
					4	87470018	6					84585647	Splice Kit	1

* Connector block for sickles and head segments need to be purchased separately. Prior to MY2013, Part No. 84275917, MY2014 and Later, Part No. 47390299.

CUTTING PARTS

Segmented Sickle Assemblies (cont.)

Bolted-3" Coarse Sections			Hardware												
Complete Sickle Assembly	Platform Length	Number Of Knife Sections	Knife Section	Knifehead		Assembly		Fastener Locknut	Section Bridge		Assembly Segments				
				Part No.	Qty	Part No.	Qty		Part No.	Qty	Head	Part No.	Description	Qty	
48185471*	20" Split	80	47980548	84429101	9	87663841	145	84429102			84275285	48185461*	Head	1	
			84543491	84429100	4								84585646	Center	1
				87663841	4								84585655	Tail	1
													84585647	SplICE Kit	2
48185469*	25" Split	100	47980548	84429101	9	87663841	185	84429102	321848A1	16	84275285	48185459*	Head	1	
			84543491	84429100	4								84585646	Center	1
				87663841	4								84585653	Tail	1
													84585647	SplICE Kit	2
48185467*	30" Split	120	47980548	84429101	9	87663841	225	84429102	321848A1	32	84275285	48185459*	Head	1	
			84543491	84429100	4								84585644	Center	1
				87663841	4								84585646	Center	1
													84585651	Tail	1
													84585647	SplICE Kit	3
48185476*	30" LH Split	58	47980548	84429101	9	87663841	99	84429102			84275285	48185461*	Head	1	
			84467292	84429100	4	87470018	7						84585659	Center	1
			87470188	87663841	4								84585647	SplICE Kit	1
48185475*	30" RH Split	57	47980548	84429101	9	87663841	92	84429102			84275285	48185463*	Head	1	
			84467282	84429100	4	84429100	5						84585646	Tail	1
				87663841	4	87470018	6						84585647	SplICE Kit	1
48185465*	35" Split	140	47980548	84429101	9	87663841	265		321848A1	48	84275285	48185459*	Head	1	
			84543491	84429100	4								84585644	Center	1
				87663841	4								84585646	Center	2
													84585649	Tail	1
48185473*	35" LH Split	68	47980548	84429101	9	87663841	119				84275285	48185461*	Head	1	
			84467292	84429100	4	87470018	7						84585646	Center	1
			87470188	87663841	4								84585657	Tail	1
													84585647	SplICE Kit	2
48185472*	35" RH Split	67	47980548	84429101	9	87663841	112				84275285	48185463*	Head	1	
			84467282	84429100	4	84429100	5						84585656	Tail	1
				87663841	4	87470018	6						84585647	SplICE Kit	1

* Connector block for sickles and head segments need to be purchased separately. Prior to MY2013, Part No. 84275917, MY2014 and Later, Part No. 47390299

HEAVY-DUTY HEAT-TREATED GUARDS

New Holland guards are manufactured by Sulberg, the oldest guard manufacturer in the world. They have teamed with New Holland engineering to design the best guard for New Holland cutting systems.

All New Holland guards, and every other component in the cutting system for New Holland headers, are designed and tested by New Holland engineering and manufactured only by an approved supplier. New Holland provides you “matched engineered and quality manufactured components for superior performance.”

Grain Header Guards DEPOT

Includes: Guards, hold down clips, shims and hardware for a quick, all-inclusive repair job

- Double heat-treated guards for longer wear-life and improved toughness
- Handy service four-pack to repair two-foot sections or two-pack to repair one-foot sections

PART NO.
87702973



Part No.	Description	Application
86615984	End Guard – 3" System	71C, 72C, 73C, 74C, 971
86587787	Triple Guard – 3" System	71C, 72C, 73C, 74C
86615982	Main Guard – 3" System	71C, 73C, 74C, 970, 971, 972, 973
87442329	End Guard – 3" System	72C, 74C
87045432	Triple Guard – 3" System	72C, 74C
87442324	Main Guard – 3" System	72C, 74C

Part No.	Description	Application
87702973	Main Guard – 3" System	740CF, 880CF, 840CD
87015708	Main Guard – 1-1/2" System	72C, 74C
87015706	End Guard – 1-1/2" System	72C, 74C
9826150	Main Hold Down Clip – 1-1/2" System	71C, 72C, 73C, 74C, 971, 973
87728905	3" Main – Coarse	740 headers
47980548	3" Main – Fine	740 headers

Draper Maintenance Kit DEPOT

Part No. 47702873

Includes: Knife sections, guards and hardware



Draper Kits DEPOT

Application: 840CD, 880CF

Includes: Knife head and hardware

Part No.	Description	Application
48151134	Kit, Draper, Rigid Center	840CD, 880CF
48151135	Kit, Draper, Stub Guard	840CD, 880CF
48151136	Kit, Draper, Std. Guard	840CD, 880CF
51459050	Kit, Draper Flex Center, Update to MY17	840CD, 880CF
51459051	Kit, Draper Rigid Center, Update to MY17	840CD, 880CF

Center Overlap Kit DEPOT

Part No. 47630061

Application: 740CF series



AUGER KITS

Auger Finger Complete Repair Kits

Part No.	DEPOT	Description	Application
B96539		Auger Finger Kit – Two Fingers, Guides and Hardware	73, 74C series headers – BPINPNL017801
B96549		Auger Finger Kit – Two Fingers, Guides and Hardware	970, 971, 973 headers
87298867		Auger Finger Kit – Two Fingers, Guides and Hardware	74C series headers – PNL017801 and after
87298954		Deluxe Auger Finger Kit – One Finger, Hub, Guide and Hardware	74C series headers – PNL017801 and after



▲ PART NO. B96538



▲ PART NO. B96549

Part No.	DFS	Description	Application
B96538		Deluxe Auger Finger Kit – One Finger, Hub, Guide and Hardware	73, 74C series headers – BPINPNL017801

Drive Shaft Bearing Kit DEPOT

Part No. 87297938NH

Application: 72C, 74C headers

Includes: Bearing, flange and mounting hardware



Auger Finger Shaft Bearing Kit DEPOT

Part No. B96552

Application: 71C, 72C rigid headers, 73, 74 flex headers

Includes: Bearing, flange, lock collar and mounting hardware



Auger Finger Kit - Standard

Part No. 47435759

Application: 740CF, 760CG, 880CD, 880CF

Includes: Includes finger, guide, clip and hardware (unless otherwise specified)

Auger Finger Kit - Deluxe

Part No. 47435766

Application: 740CF, 760CG, 880CD, 880CF

Includes: Includes finger, guide, clip joint and hardware (unless otherwise specified)

TINE KITS

Tine Service Kits

DFS

Includes: Tine and mounting hardware

Part No.	Application	Single Piece No.
B94712	Poly Tine Reels	786031
B94710	Full Tine - ML Reels header	9842263
B95856	Full Tine - MLII Reels (2001 and later)	



PART NO.
B94712



PART NO.
B94710



PART NO.
B95856

Bulk Tines

DEPOT

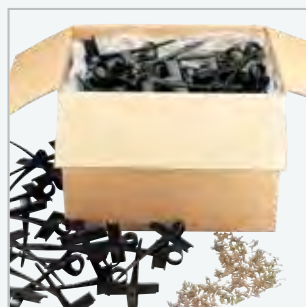
Part No.	Qty.	Application	Single Piece No.
B93866	500	Poly Tine Reels	786031
B93868	180	ML Reels	9842263
B95872	130	MLII Reels	

BULK TINES - 25 pack

Part No.	Application
B95857	MLII Reels (2001 and later)



PART NO. B95857
TWENTY-FIVE PACK



LARGE BULK PACK

Reel Repair Kits

DEPOT

Gather more grain when your 72C and 74C series pick-up reel is in top shape and ready for tough harvest conditions. New reel repair kits offer:

Convenience - key components and hardware in one kit

Savings - saves you time and money

Confidence - your reel will feed your valuable crop to your combine

Part No.	Description
B95624	Reel Arm Bearing Kit
B95623	Reel Arm Bearing Kit - For One Spider
B95644	Reel Arm Bushing Kit - One Side
B95645	Reel Arm Bushing Kit - Two Sides



PART NO.
B95624



PART NO. B95623



HARVEST PREP TIP

WHY KITS?

Go with kits for all of your equipment maintenance needs this harvest:

- They're convenient. Quick, easy product enhancement and field repairs.
- They offer peace of mind. All genuine New Holland parts, engineered and manufactured for your machines.
- They're cost-effective. Packaged complete, often at a discounted price.

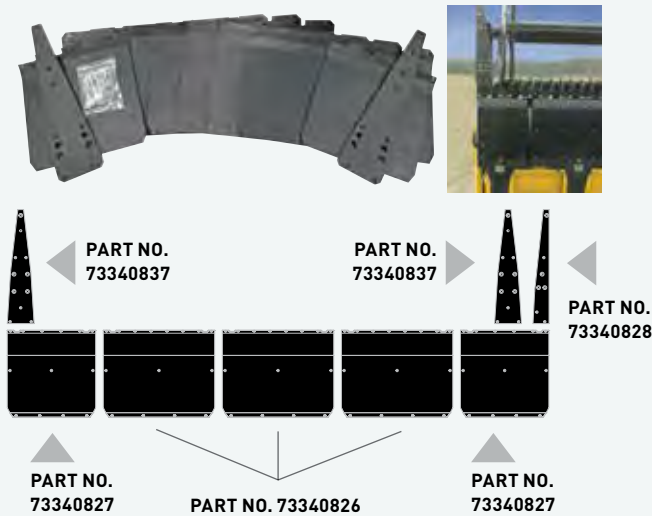
For more reasons to buy kits, visit NHsmartsolutions.com

POLY SKID SHOES

Premium Poly Skid Shoes, Pre-Drilled

Cut to fit. Formed to shape. Counterbored holes. Designed for a perfect fit. These features prevent soil and debris build up on the underside of your combine head. The smooth, slick surface allows you to run your head and cutterbar as low as possible, leaving little to no crop in the field.

Tough. Durable. Slick. Lightweight. Skid Shoes made of UHMW poly have a molecular strength that provides abrasion and impact resistance for longer wear. Yet they are lightweight, allowing you to run larger heads on your combine.



Poly Skid Shoes, 1/4" Thick – Black DFS

FOR NH973/74C/73C HEADERS, PART NO. BEFORE PNL017183 (INCLUDING ALL HAJ PART NO.)

Part No.	Description
73340815	35' Head Complete Kit
73340816	30' Head Complete Kit
73340817	25' Head Complete Kit
73340818	24' Head Complete Kit
73340819	22' Head Complete Kit
73340820	20' Head Complete Kit
73340821	18' Head Complete Kit
73340822	16' Head Complete Kit
73340823	15' Head Complete Kit
73340824	13' Head Complete Kit
Replacement Parts	
73340825	Skid Shoe – Black 35" × 24" ***
73340826	Skid Shoe – Black 29" × 24"
73340827	Skid Shoe – Black 23" × 24"
73340828	End Skid Shoe – Black 4.5" × 30" *
73340837	End Skid Shoe – Black 7" × 30" **
73340787	Drill Bit 9/32"

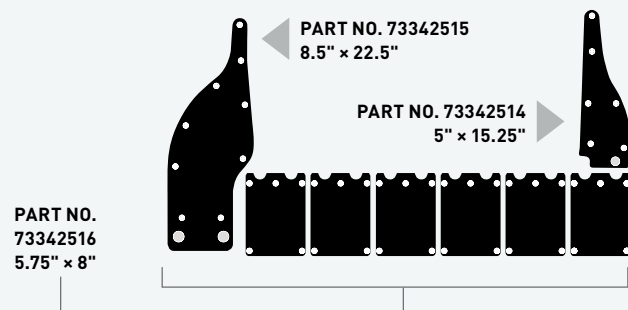
*Single Drive End Shoe.
 **Dual Drive End Shoe.
 ***Only Needed for NH973 – 22, 18, 13 ft. models.

Poly Skid Shoes, 3/8" & 1/4" Thick – Black

FOR 740CF HEADERS DFS

Part No.	Description
73342510	NH 740CF – 3/8" Molded Centers and 1/4" End Shoes – 35' Kit
73342511	NH 740CF – 3/8" Molded Centers and 1/4" End Shoes – 30' Kit
73342512	NH 740CF – 3/8" Molded Centers and 1/4" End Shoes – 25' Kit
73342513	NH 740CF – 3/8" Molded Centers and 1/4" End Shoes – 20' Kit

Replacement Parts	
73342514	Right End Skid Shoe - 5" × 15.25"
73342515	Left End Skid Shoe - 8.5" × 22.5"
73342516	Center Skid Shoe - 5.75" × 8"



Complete Poly Replacement Skid Shoe Kits DEPOT

FOR 740CF HEADERS

Part No.	Description
48033413	30' Complete Skid Shoe Kit
48033414	35' Complete Skid Shoe Kit

FOR 840CD, 880CF HEADERS

Part No.	Description
48033416	30' Complete Skid Shoe Kit
48031345	35' Complete Skid Shoe Kit
48033418	40' Complete Skid Shoe Kit
48033419	45' Complete Skid Shoe Kit

POLY-SKID SHOES DFS

Poly Skid Shoes, 1/4" Thick – Black

FOR 74C HEADERS, PINS PNL017183 – PNL017800

Part No.	Description
73340831	35' Head Complete Kit
73340832	30' Head Complete Kit
73340833	25' Head Complete Kit
73340834	20' Head Complete Kit
Replacement Parts	
73340835	Skid Shoe – Black 23" × 21"
73340836	Skid Shoe – Black 29" × 21"
73340837	End Skid Shoe – Black 7" × 30" **
73340828	End Shoe – Black 4.5" × 30" *
73340787	Drill Bit 9/32"

* Single Drive End Shoe; ** Dual Drive End Shoe.

FOR 74C HEADERS, PINS PNL017101 – PNL018300

Part No.	Description
73340839	35' Head Complete Kit
73340840	30' Head Complete Kit
73340841	25' Head Complete Kit
73340842	20' Head Complete Kit
Replacement Parts	
73340852	Skid Shoe – Black 17" × 18"
73340853	Skid Shoe – Black 29" × 18"
73340846	End Skid Shoe – Black 6.5" × 24"
73340787	Drill Bit 9/32"

* Single Drive End Shoe; ** Dual Drive End Shoe.

FOR 74C HEADERS, PINS PNL0178301 AND LATER

Part No.	Description
73340847	35' Head Complete Kit**
73340848	30' Head Complete Kit**
73340849	25' Head Complete Kit**
73340850	20' Head Complete Kit**
Replacement Parts	
73340852	Skid Shoe – Black 17" × 18"
73340853	Skid Shoe – Black 29" × 18"
73340854	End Skid Shoe – Black – RH 7" × 25.5" **
73340855	End Skid Shoe – Black – LH 7" × 25.5" **
73340856	Skid Shoe – Black 14.5" × 18"
73340857	End Skid Shoe – Black – RH 4.5" × 25" *
73340787	Drill Bit 9/32"

* Single Drive End Shoe; ** Dual Drive End Shoe.

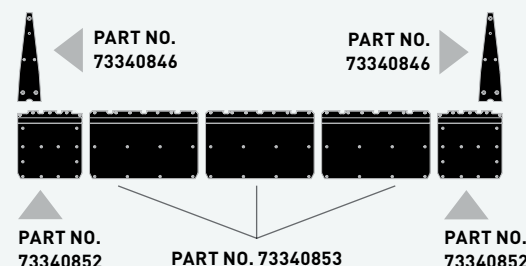
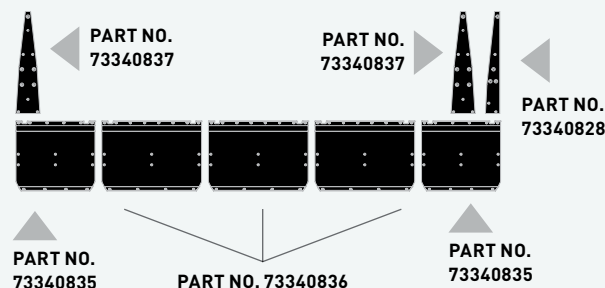
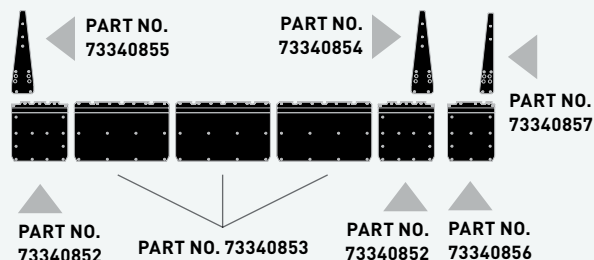
Poly Skid Shoes, 3/8" Thick, White

FOR NH84C HEADERS, PINS PnNL0178301 AND LATER

Part No.	Description
73340764	36' (pre-2006)
73340765	30' (pre-2006)
Replacement Parts	
73340766	Skid Shoe – White 11.75" × 15"
73340767	Skid Shoe Triangle – White 17.25" × 23"
73340768	Skid Shoe – White 7.25" × 8.875"
73340769	Skid Shoe – White 3" × 18"
73340770	Skid Shoe – White 5.875" × 8.875"
73340771	Skid Shoe – White 5.875" × 7.125"
73343468	36 ft. After S/N PPP001119
73343469	30 ft. After S/N PPP001119



Note: Only one of each type of skid shoe is shown here.



DRAPER HEAD POLY-SKID SHOE KITS / HEADER KITS

840CF/880CF DFS Draper Head Poly Skid Shoe Kits

Part No.	Description
73343453	45 ft. Set
73343454	40 ft. Set
73343455	35 ft. Set
73343456	30 ft. Set
73343457	25 ft. Set

82C/83C/86C DFS Draper Head Poly Skid Shoe Kits

Part No. 73343460

- 45 ft. set
- 3/8" thick, white poly, pre-drilled shoes

Wobblebox Overhaul Kit DEPOT

Part No. 48003256

Application: 740CF, 760CG

Includes: Bearings, bushing and hardware to rebuild wobblebox

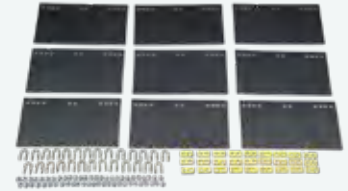
Reel Tine Flap Kit DEPOT

Part No. 86705199

Application: 740CD, 840CD, 880CF series, MY2013

Includes: Nine (9) flaps and mounting hardware

- Improves crop flow in light crops



DEALER INSTALLED ACCESSORIES

Header DIA Kits DEPOT

Part No.	Description	Application
84308822	Long Dividers	880CF, 840CD series
47850157	AHHC for Operating in Rigid Mode, 20-25'	740CF series, MY2013
47850158	AHHC for Operating In Rigid Mode, 30-35'	740CF, 880CF series, MY2013
47850159	AHHC for Operating in Rigid Mode, 30-35' DD	740CF series, MY2013
47850144	AHHC for Operating Flex In Rigid Mode 40-45'	880CF series, MY2013
84494074	Stripper Wide Feeder Kit	840CD and 880CF series
84499865	Auger High RPM Kit	880CF series, 840CD series, MY2013
84244882	Auger Low RPM Kit, 30' and 35'	740CF and 760CG Varifeed™ series, MY2013
47424191	Gauge Wheel Mounting Kit, 35-45'	880CF series, MY2013
84590442	Gauge Wheels Kit, 35-45'	880CF series, MY2013
47371312	In-Cab Float Completing Kit	880CF series
84151521	Auger Sweeper Kit, 30' and 35'	740CF series and 760CG Varifeed series

Part No.	Description	Application
84265931	Auger Flight Extension Kit, 30' and 35'	740CF series and 760CG Varifeed series, MY2013
86705508	Center Flighting Extension Kit	740CF series
84377479	Fixed Short Dividers, 30' and 35'	760CG Varifeed series headers, MY2013
87730925	Short Dividers, 30' and 35'	760CG Varifeed series, MY2013
84185405	Pivotable Adjustable Dividers, 30'	760CG Varifeed series, MY2013
87730928	Knife Protection, 30' and 35'	760CG Varifeed series, MY2013
84291911	Knife Green Condition, 30'	760CG Varifeed series, MY2013
84291914	Knife Green Condition, 35'	760CG Varifeed series, MY2013
47369017	Vertical Knife Kit LH, 30' and 35'	760CG Varifeed series, MY2013
47369018	Vertical Knife Kit RH, 30' and 35'	760CG Varifeed series, MY2013
84188401	Hydraulic Vertical Knives, 30' and 35'	760CG Varifeed series, MY2013
84139539	Backsheet Extension, 30' and 35'	760CG Varifeed series, MY2013

HEADER KITS

DEALER INSTALLED ACCESSORIES

Part No.	Description	Application
Cutterbar Suspension Kits		
48109011	45'	2013 880CF
Third Stripper Kit		
84302550	25'	2013 740CF
84302549	30'	2013 740CF
84302548	35'	2013 740CF

Part No.	Description	Application
84393551	Bottom Stripper Plates, 30' and 35'	760CG Varifeed™ series, MY2013
84511136	3rd Sensor Autofloat, 30' and 35'	760CG Varifeed series, MY2013
Croplifters		
84160116	STD Guard – 25'	2013 740CD, 840CD
Upper Cross Auger Kits		
84599540	35'	2013 840CD, 880CF
84599541	40'	2013 840CD, 880CF
84599542	45'	2013 840CD, 880CF

CROP LIFTER KITS

Crop Lifter Kits

Application: 740, 760, 840, 880 series headers

- Designed to lift down crop for maximum cutting efficiency
- Manufactured from 5 mm thick spring steel for toughness and longer service life
- The locking clip can secure the lifter at three different heights for flexibility in a variety of crop conditions
- Attaches to foraged guards on the following headers with the spacer spool and hardware included in the kit

Application	Lifter Kit W/ Spool And Hardware	Replacement Lifter
New Holland 740, 760, 840, 880 series headers	84134152	84332932
Macdon headers	87298404	87298401
Honeybee headers	87298405	87298402
All	87298406 (8 spools and hardware)	-



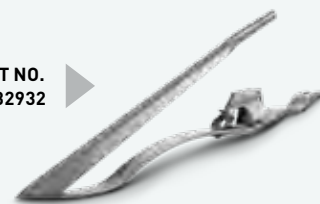
Crop Lifters

Application: All New Holland grain headers

- Select the model that best suits your expectations, from a standard model to the highest specification model

Part No.	Description
84332932	Standard Model

PART NO.
84332932





CORN HEADER KITS

CORN HEADER SERVICE KITS

Corn Header Service Kits DEPOT

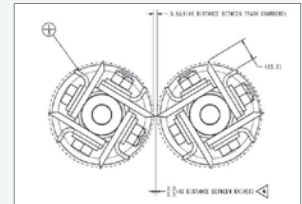
Application: 96, 98 corn headers

Includes: Hardware

Part No.	Description
B95573	Idler Sprocket Kit
B95574A	Drive Sprocket Kit
B95582	Ear Saver Kit

Row Unit Trash Grabber Kit DEPOT

Includes: Kit for one row includes (8) Stalk Roll Angles (Part No. 84376793) and (4) Bolts (Part No. 280620).



Part No.	Application
47723732	98D corn headers
48008467	98C & 980C series

Corn Header Repair Kit DEPOT

Includes: chains, sprockets and hardware

Part No.	Description
B96154ANH	Chain with Standard Pins
B96155A	Chain with Chrome - Plated Pins



CORN HEADER REPAIR KIT

POLY HOODS & DIVIDERS


Poly Hoods & Dividers

Application: 96, 98 series corn headers (20"-22", 30" and 36"-38")

- Heavy-duty steel frame
- Provides strength and durability
- Replaceable components

HOOD ASSEMBLIES

Part No. 	Description
B96170	Inner 30"

Part No. 	Description
B96177	Outer LH - All row spacings (96)
B96178	Outer RH - All row spacings (96)
86978716	Outer LH - All row spacings (98)
86978717	Outer RH - All row spacings (98)

DIVIDER ASSEMBLIES

Part No.	Description
B96171	Inner 30"
B96176	Outer - All row spacings

INNER HOOD

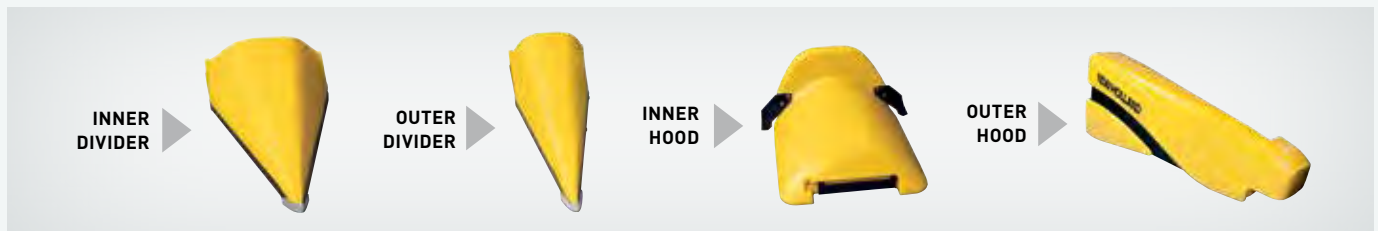
- Color-matched, high-strength polyethylene shell over steel frame
- High-strength polyethylene shell resistant to cracks, dents and rust (reduced maintenance and painting requirements)
- No spot welds to fail
- Smoother surface than steel for improved crop flow
- Steel frame for strength and durability

OUTER HOOD

- Each hood and divider is totally interchangeable with the current steel assemblies
- Replaceable, heavy-duty, cast-wear point
- Crowned hood to reduce crop bunching
- Field tested
- Kit complete with mounting hardware

DIVIDER

- Complete kits available for 30" rows and outer kits both LH and RH for all row widths
- Replaceable, heavy-duty, cast-wear point
- Durable ear saver kits available
- Kits available to update and improve the appearance and value of your older model 96 and 98 series corn headers



Corn Header Poly Upgrades

Part No. 47743241

Upgrade: New Holland 98D series corn header snouts with this new kit. Includes the divider and hood for complete service.

- Maximum grain savings divider/snout profile
- Patented corn retention louvers
- Heavy-duty double-walled, poly construction
- Superior down corn performance
- Improved rear hood sealing
- Increased resale value



PART NO. 47743241

POLY HOODS & DIVIDERS

Poly Hood Repair Kit DEPOT

Application: 96, 98 corn headers

Includes: Stainless steel repair patches, hardware and instructions

Install these kits to increase the service life of corn header poly hoods.

Part No.	Application
87528030	Kit-inner Row*
87528033	Kit-outer Row
87528034E	6-Row Kit
87528035E	8-Row Kit
87528036E	12-Row Kit

* Requires two per inner hood.



Complete Corn Header Row Units DEPOT For Quick Installation

Includes: Slip clutch and right hand stripper plate only (order components to equip with manual or hydraulic stripper plates)

- Painted
- Less stalk roll assembly. Order either the fluted roll style kit or knife roll style kit to complete the corn header unit.

Part No.	Application
84572438	980 w/ Chopper
84572441	980 w/o Chopper



Extenda-Wear™ Chains DEPOT

Application: 96 corn headers

- Standard-duty chains
- Chrome pins for longer service life
- Wears up to 2-1/2 times longer than regular-duty chains

Part No.	Description
84284709	Regular-Duty, 96C, 98C, 98D
86978515	Extended-Wear



CORN HEADER ACCESSORIES

Gathering Chain

Part No. DEPOT	Replaces OEM Part No.	Application
86523386	86523386	974, 96C, 98D (MY2010 and prior) - Chrome Pin (extended wear)
84251979	84251979	99C - Chrome Pin (extended wear) 980C series
84284709	84284709	98D (MY2011 & Since) - Chrome Pin (standard wear) 980C series

Part No. DFS	Replaces OEM Part No.	Application
9613278	80262179	Early 1977 and Prior 962 Before S/N 22034
9613277	254296	962 After S/N 220344 - Late 1977
B176279C91	N/A	974, 96C, 98C, 98D (MY2010 and prior) - Black Pin - (standard wear)
73341583	N/A	98D (MY2011 and since) - Black Pin (standard wear)

CORN HEADER ACCESSORIES

Tall Corn Kit

Includes: Components to extend the height of the outer heads/dividers to minimize ear loss in tall corn and complete installation instruction manual

- Can be raised to harvest standing corn or lowered to harvest down corn
- Design permits end dividers to fold
- Design minimizes hair pinning
- Heavy-duty components for durability and longer service life
- Smooth front to rear transition

Part No.	Application
87034528	96, 98
84164300	99
47377859	980CR
47689588	980CR Folding



Weed Knife – Two-Piece Design

Part No. B95581

Includes: Knives and hardware to repair one row

- Front weed knife is made of ductile cast iron for improved strength and wear life
- Rear weed knife is made of heat-treated formed steel



Row Guidance Kit

Part No. 87557059

Includes: All components to add row guidance

Application: 980CR corn headers

STALK STOMPERS

Level Corn Stalks Ahead Of Combine Tires/Tracks By Using New Holland Stalk Stompers For Corn Headers

Feature	Benefit	Advantage
3/16" Thick Heavy Metal Shoe	Allows moisture and air to accelerate decomposition.	Prevents accelerated and uneven wear on tires and tracks.
Down Pressure Spring	Helps prevent uneven wear.	By maintaining pressure on the shoe, the shoe will apply steady force against the stalks or stubble, flattening them evenly in front of the tire/track.
1/4" Thick Black UHMW Poly Covering	Allows stalk stompers to move freely across field without bunching and build up of mud or debris. Protects metal stalk stomper shoe from excessive wear.	Ultra-High Molecular Weight poly has a low coefficient of friction which creates a smooth, slick surface. Ultra-High Molecular Weight poly has a higher abrasion resistance factor than metal. Ultra-High Molecular Weight poly has a zero absorption property that enables it to be non-corrosive.
Rugged Metal Mounting Brackets	Enables use on all New Holland corn headers. Provides maintenance-free operation.	Each mounting bracket is designed specifically for New Holland models and is included in each Stalk Stomper Row Kit.

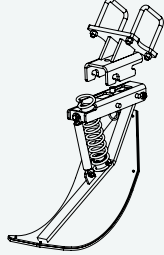


STUBBLE DAMAGE PROTECTION

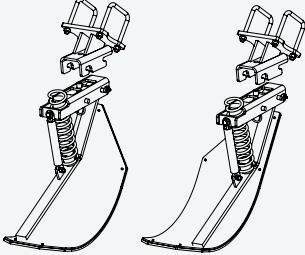
FOR FULL OFFERING OF REPLACEMENTS PARTS, PLEASE SEE CATALOG PM-16288

Quick Disconnect 2-Stalk Stompers for New Holland DFS

73343253
ALL ROWS EXCEPT 2
& 5 ON 6 ROW HEADS
9" SHOES



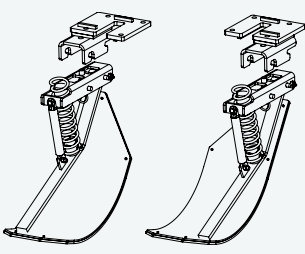
73343254
FOR ROWS 2 & 5 ON
6 ROW HEADS
9" SHOES



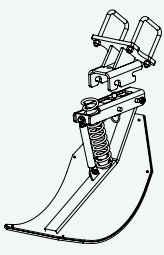
73343255
ALL ROWS EXCEPT 3 &
10 ON 12 ROW HEADS
WITH 20" & 22" ROWS
9" SHOES



73343256
FOR ROWS 3 & 10 ON
12 ROW HEADS WITH
20" & 22" ROWS
9" SHOES



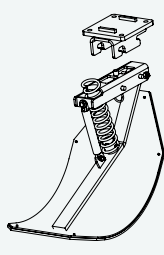
73343258
14" SHOES



Part No.	Description	Size
73343253	99C/980 series Kit ALL ROWS EXCEPT 2 & 5 on 6 row heads, Order Part No. 73343254 for rows 2 & 5	9" Shoe
73343254	99C series Kit FOR ROWS 2 & 5 on 6 row heads, Kit Includes: 1 Left Offset Stomper Assembly [73343148], 1 header Bracket [73343142], 1 Right Offset Stomper Assembly [73343147], 1 header Bracket [73343142]	9" Shoe
73343255	96C, 96D, 98C, 98D & 996 series Kit ALL ROWS EXCEPT 3 & 10 on 12 row heads w/20" & 22" rows, Order Part No. 73343256 for rows 3 & 10 on 12 row heads with 20" rows	9" Shoe
73343256	96C, 96D, 98C, 98D & 996 series Kit FOR ROWS 3 & 10 on 12 row heads w/20" & 22" rows, Kit Includes: 1 Left Offset Stomper Assembly [73343148], 1 header Bracket [73343157], 1 Right Offset Stomper Assembly [73343147], 1 header Bracket [73343156]	9" Shoe
73343258	99C/980 series Kit	14" Shoe
73343259	96C, 96D, 98C, 98D & 996 series Kit	14" Shoe

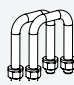




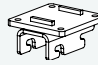






73343259
14" SHOES

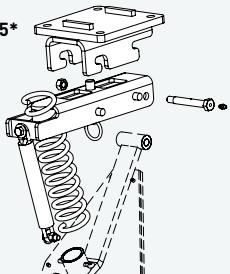


STUBBLE DAMAGE PROTECTION

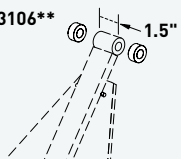
Quick Disconnect 2 New Holland Assembly/Replacement Components DFS

	QD2 Stalk Stomper Assembly w/o Mount Bracket 73343140 9" Shoe 73343150 14" Shoe		14" Poly Shoe Cover w/ Hardware 73341502		QD2 Connector Bracket 73343193
	QD2 Shoe w/ Poly Cover 73343121 9" Shoe 73341501 14" Shoe		99C Offset Poly Shoe Cover w/ Hardware (Rows 2 & 5 on 6 Row heads) 73341615		U Bolt - 2x2 Mount (2 pack) 73343127
	QD2 Right Offset Stalk Stomper Assembly w/o Mount Bracket 73343147		99C/980 QD2 CR9060, CR9040, CR960, CR940 Bracket 73343142		Lock Pin Assembly 73343194
	QD2 Right Offset Shoe w/ Poly Cover 73341606		96C, 96D, 98C, 98D & 996 header Bracket 73343143		Stalker Stomp Chain 73343098
	QD2 Left Offset Stalk Stomper Assembly w/o Mount Bracket 73343148		96C, 96D, 98C, 98D & 996 Right Offset QD2 header Bracket 73343156		Chain Sleeve (2 pack) 73343134
	QD2 Left Offset Shoe w/ Poly Cover 73341608		2200, 2400, 3200, 3400 Left Offset QD2 header Bracket 73343157		Quick Disconnect 2 Storage Brackets 73343153
	9" Poly Shoe Cover w/ Hardware 73340756				

UPGRADE KITS



73343155*



73343106**

**2 SPACER BUSHINGS
REQUIRED FOR SHOES
WITH 1.5" PIVOT**

Part No.	Description
73343155	New Holland 96C, 96D, 98C, 98D & 996
73343106	Spacer Bushing for QD2 Upgrade

* This kit is sold per pair and includes all necessary components to upgrade Quick Disconnect to Quick Disconnect 2.

** 4 spacer bushings required to upgrade Standard mount to Quick Disconnect 2 in addition to the upgrade kit.

NEW! G4 Stalk Stompers available on page 22.
For full offering of replacement parts, see catalog PM-21025

STUBBLE DAMAGE PROTECTION

G4 Stalk Stompers DFS

Description: Stalk Stompers provide several benefits:

- Greatly reduces expensive tire damage to combine, tractor, implement, and planter tires
- Crushing the stalks increases contact with the soil which facilitates quicker plant tissue decomposition
- Stalk Stompers increase the trade-in or resell value of the corn header

G4 Stalk Stompers design features:

- Torsion design to handle shock
- 1/2" thick UHMW poly instead of steel
- Reduced weight by 25%
- 12" shoe width – optimal width for knocking down stalks



NEW HOLLAND

NUMBER OF ROWS	KIT PART NO.	KIT PART NO.	Application
	With Toolbar*	Without Toolbar**	
2 Rows	73343943	73343950	New Holland 99C & 980 series
4 Rows	73343944	73343951	
6 Rows	73343945	73343952	
8 Rows	73343946	73343953	
12 Rows	73343947	73343954	
16 Rows	73343948	73343955	
18 Rows	73343949	73343956	

DRAGO GT SERIES

NUMBER OF ROWS	KIT PART NO.	KIT PART NO.	NOTES
	With Toolbar*	Without Toolbar**	
2 Rows	73343861	73343868	-
4 Rows	73343862	73343869	-
6 Rows	73343863	73343870	Due to variation of implement configurations, row coverage under the feeder-house may not be applicable.
8 Rows	73343864	73343871	
12 Rows	73343865	73343872	
16 Rows	73343866	73343873	
18 Rows	73343867	73343874	

ASSEMBLY COMPONENTS

Part No.	Description
73343875	G4 Stalk Stomper Assy w/o Mount Bracket
73343876	G4 Stalk Stomper Mount Bracket Assembly
73343877	G4 Stalk Stomper Assy With Mount Bracket

JOHN DEERE 600/700 SERIES

NUMBER OF ROWS	KIT PART NO.	KIT PART NO.	NOTES
	With Toolbar*	Without Toolbar**	
2 Rows	73343847	73343854	-
4 Rows	73343848	73343855	-
6 Rows	73343849	73343856	Due to variation of implement configurations, row coverage under the feeder-house may not be applicable.
8 Rows	73343850	73343857	
12 Rows	73343851	73343858	
16 Rows	73343852	73343859	
18 Rows	73343853	73343860	

POLY PICKUP BANDS

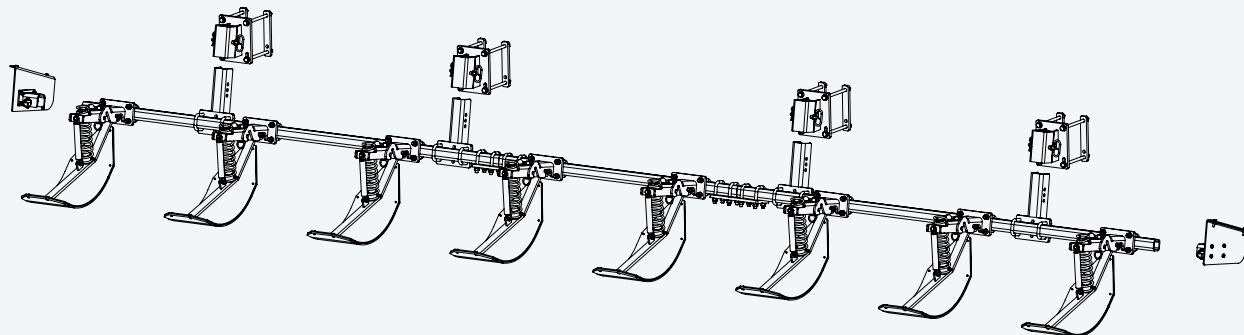
Part No.	Description
73343882	Poly Pickup Band, NH Round Baler 1.5M head
73343883	Poly Pickup Band, Case IH Round Baler 1.5M head
73343884	Poly Pickup Band, AGCO, Case IH, Challenger, Hesston, Massey
73343885	Poly Pickup Band, Vermeer Balers

*Toolbar configuration based on 30" rows; Kit will accommodate narrower rows.

**To reduce cost, the 2x2 toolbar can be removed from the kit. This is standard 2x2 square 1/4" – sidewall tubing available from most fabrication shops or metal supply companies.

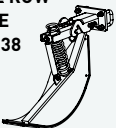


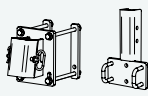
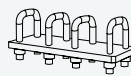
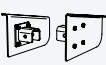
STUBBLE DAMAGE PROTECTION

Quick Disconnect 2-Stalk Stompers for John Deere 600 Series DFS



NOTE: HEADER BRACKET (PART NO. 73341125) ACCOMMODATES 5" – 6" MAIN BEAM.

ASSEMBLY KITS

	SINGLE ROW 9" SHOE 73343138 	TWIN ROW 14" SHOE 73343149 	 96" 73343120	 73343122 73341226	 73341224	 73341227
Number Of Rows	Kit Part No.	Kit Part No.	2X2 Toolbar	Hand Mounting Brackets	Toolbar Splice	End Support Kit
With Toolbar (Toolbar configuration based on 30" rows; Kit will accommodate narrower rows)						
2 Rows	73343224	73343238	Qty 2: 72"	Qty 4 ea.	N/A	Optional
4 Rows	73343225	73343239	Qty 2: 72"	Qty 4 ea.	N/A	Optional
6 Rows*	73343226	73343240	Qty 2: 96"	Qty 4 ea.	N/A	Optional
8 Rows*	73343227	73343241	Qty 3: 96"	Qty 4 ea.	Qty 2 ea.	Optional
12 Rows*	73343228	73343242	Qty 2: 72" & 3: 96"	Qty 4 ea.	Qty 4 ea.	Qty 1 ea.
16 Rows*	73343229	73343243	Qty 5: 96"	Qty 4 ea.	Qty 4 ea.	Qty 1 ea.
18 Rows*	73343230	N/A	Qty 2: 72" & 3: 96"	Qty 4 ea.	Qty 4 ea.	Qty 1 ea.
Without Toolbar (To reduce cost, the 2x2 toolbar can be removed from the kit. This is standard 2x2 square 1/4" – sidewall tubing available from most fabrication shops or metal supply companies)						
2 Rows	73343231	73343244	N/A	Qty 4 ea.	N/A	Optional
4 Rows	73343232	73343245	N/A	Qty 4 ea.	N/A	Optional
6 Rows*	73343233	73343246	N/A	Qty 4 ea.	N/A	Optional
8 Rows*	73343234	73343247	N/A	Qty 4 ea.	Qty 2 ea.	Optional
12 Rows*	73343235	73343248	N/A	Qty 4 ea.	Qty 2 ea.	Qty 1 ea.
16 Rows*	73343236	73343249	N/A	Qty 4 ea.	Qty 2 ea.	Qty 1 ea.
18 Rows*	73343237	N/A	N/A	Qty 4 ea.	Qty 2 ea.	Qty 1 ea.

* Due to variation of implement configurations, row coverage under the feederhouse may not be applicable.

NEW! G4 Stalk Stompers available on page 22.

STUBBLE DAMAGE PROTECTION

Quick Disconnect 2-Stalk Stompers for John Deere 90/40 Series DFS

73343250
ALL ROWS EXCEPT 3
& 6 ON 8 ROW HEADS
9" SHOES

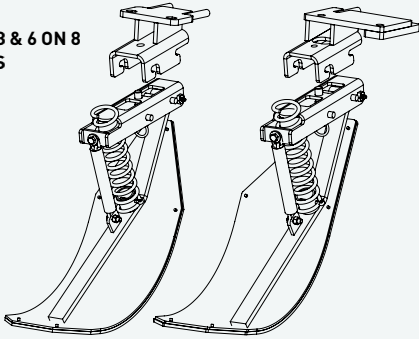


JOHN DEERE QUICK DISCONNECT 2

Part No.	Description	Size
73343250	90/40 series** ALL ROWS EXCEPT 3 & 6 on 8 row heads, Order Part No. 84129 for rows 3 & 6	9" Shoe

** Dos not fit 8 row [36" and wider row widths] 90/40 series heads.

73343251
FOR ROWS 3 & 6 ON 8
ROW HEADS
9" SHOES



JOHN DEERE QUICK DISCONNECT 2

Part No.	Description	Size
73343251	90/40 series FOR ROWS 3 & 6 on 8 row heads, Kit Includes: 1 Stalk Stomper Assembly (43003), 1 header Bracket (43010), 1 Right Offset Stalk Stomper Assembly (43013), 1 Right Offset Bracket (43011)	9" Shoe

73343252
ALL ROWS EXCEPT 3
& 6 ON 8 ROW HEADS
14" SHOES



JOHN DEERE QUICK DISCONNECT 2

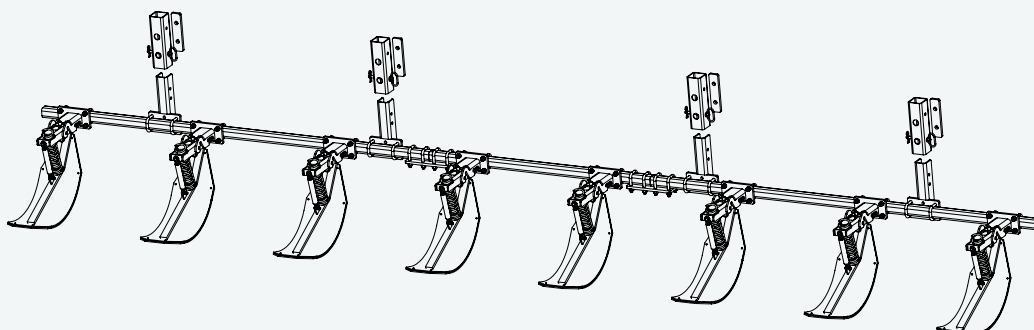
Part No.	Description	Size
73343252	90/40 series**	9" Shoe

** Dos not fit 8 row [36" and wider row widths] 90/40 series heads.

NEW! G4 Stalk Stompers available on page 22.

STUBBLE DAMAGE PROTECTION

Quick Disconnect 2-Stalk Stompers for Drago DFS



ASSEMBLY KITS

	SINGLE ROW 9" SHOE 73343138	TWIN ROW 14" SHOE 73343149	96" 73343120	73341243 73341226	73341224
Number Of Rows	Kit Part No.	Kit Part No.	2X2 Toolbar	Hand Mounting Brackets	Toolbar Splice
With Toolbar (Toolbar configuration based on 30" rows; Kit will accommodate narrower rows)					
! 2 Rows	73343373	73343391	Qty 2: 72"	Qty 4 ea.	N/A
! 4 Rows	73343374	73343392	Qty 2: 72"	Qty 4 ea.	N/A
! 6 Rows*	73343375	73343393	Qty 2: 96"	Qty 4 ea.	N/A
8 Rows*	73343376	73343394	Qty 3: 96"	Qty 4 ea.	Qty 2 ea.
12 Rows**	73343377	73343395	Qty 3: 96"	Qty 4 ea.	Qty 2 ea.
12 Rows***	73343378	73343396	Qty 2: 72" & 3: 96"	Qty 8 ea.	Qty 2 ea.
12 Rows****	73343379	73343397	Qty 5: 72"	Qty 8 ea.	Qty 2 ea.
16 Rows*	73343380	73343398	Qty 5: 96"	Qty 4 ea.	Qty 4 ea.
18 Rows*	73343381	N/A	Qty 5: 96"	Qty 4 ea.	Qty 4 ea.
Without Toolbar (To reduce cost, the 2x2 toolbar can be removed from the kit. This is standard 2x2 square 1/4" – sidewall tubing available from most fabrication shops or metal supply companies)					
! 2 Rows	73343382	73343399	N/A	Qty 4 ea.	N/A
! 4 Rows	73343383	73343400	N/A	Qty 4 ea.	N/A
! 6 Rows*	73343384	73343401	N/A	Qty 4 ea.	N/A
8 Rows*	73343385	73343402	N/A	Qty 4 ea.	Qty 2 ea.
12 Rows**	73343386	73343403	N/A	Qty 4 ea.	Qty 2 ea.
12 Rows***	73343387	73343404	N/A	Qty 8 ea.	Qty 2 ea.
12 Rows****	73343388	73343405	N/A	Qty 8 ea.	Qty 2 ea.
16 Rows*	73343389	73343406	N/A	Qty 4 ea.	Qty 2 ea.
18 Rows*	73343390	N/A	N/A	Qty 4 ea.	Qty 2 ea.

* Due to variation of implement configurations, row coverage under the feederhouse may not be applicable.

** This 12-row kit accommodates 20" & 22" row spacing.

*** This 12-row kit accommodates 30" row spacing.

**** This 12-row kit accommodates folding heads.

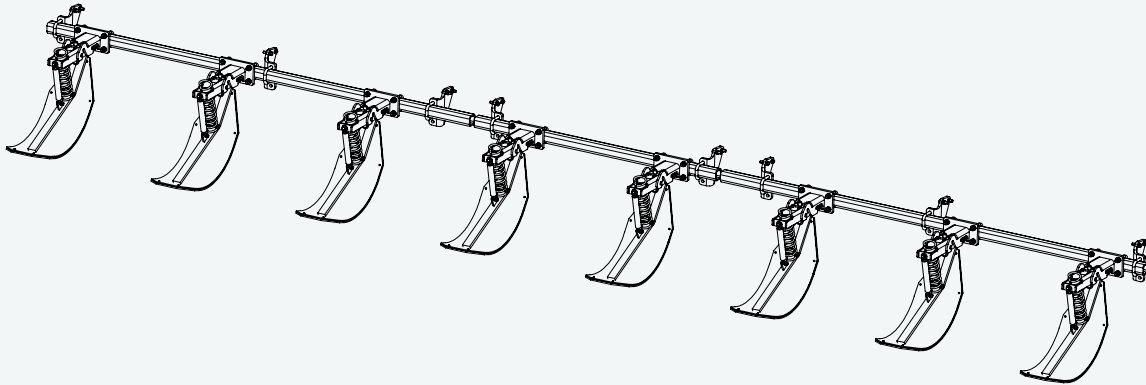
! Series II 6 row heads require Offset Bracket, Part No. 73343124 (shown to the right) not included in kit.

! **SERIES II 6 ROW
OFFSET BRACKETS
73343124**

NEW! G4 Stalk Stompers available on page 22.




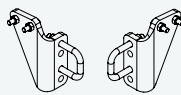
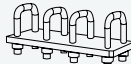
STUBBLE DAMAGE PROTECTION

Quick Disconnect 2-Stalk Stompers for Geringhoff DFS



NOTE: FITS NORTHSTAR AND ROTA DISC AND ACCOMMODATES FOLDING HEADS.

ASSEMBLY KITS

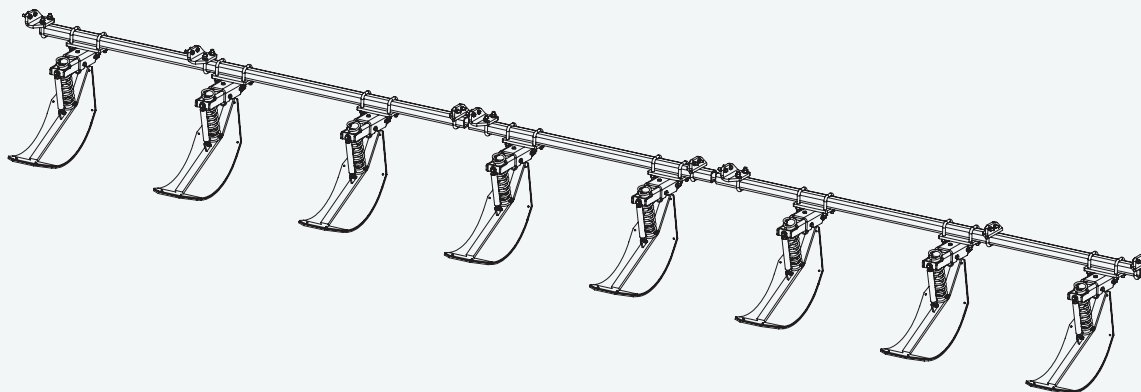
	SINGLE ROW 9" SHOE 73343138 	TWIN ROW 14" SHOE 73343149 	 96" 73343120	 73343136 73343137	 73341224
Number Of Rows	Kit Part No.	Kit Part No.	2X2 Toolbar	Hand Mounting Brackets	Toolbar Splice
With Toolbar (Toolbar configuration based on 30" rows; Kit will accommodate narrower rows)					
2 Rows	73343261	73343275	Qty 2: 72"	Qty 2 ea.	N/A
4 Rows	73343262	73343276	Qty 2: 72"	Qty 2 ea.	N/A
6 Rows*	73343263	73343277	Qty 2: 96"	Qty 4 ea.	N/A
8 Rows*	73343264	73343278	Qty 1: 72" & Qty 2: 96"	Qty 4 ea.	Optional
12 Rows*	73343265	73343279	Qty 4: 96"	Qty 6 ea.	Optional
16 Rows*	73343266	73343280	Qty 5: 96"	Qty 6 ea.	Optional
18 Rows**	73343267	N/A	Qty 5: 96"	Qty 8 ea.	Optional
Without Toolbar (To reduce cost, the 2x2 toolbar can be removed from the kit. This is standard 2x2 square 1/4" - sidewall tubing available from most fabrication shops or metal supply companies)					
2 Rows	73343268	73343281	N/A	Qty 2 ea.	N/A
4 Rows	73343269	73343282	N/A	Qty 2 ea.	N/A
6 Rows*	73343270	73343283	N/A	Qty 4 ea.	N/A
8 Rows*	73343271	73343284	N/A	Qty 4 ea.	Optional
12 Rows*	73343272	73343285	N/A	Qty 6 ea.	Optional
16 Rows*	73343273	73343286	N/A	Qty 6 ea.	Optional
18 Rows**	73343274	N/A	N/A	Qty 8 ea.	Optional

* Due to variation of implement configurations, row coverage under the feederhouse may not be applicable.




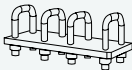
** This kit accommodates 20" & 22" row spacing.

STUBBLE DAMAGE PROTECTION

Quick Disconnect 2-Stalk Stompers for Geringhoff Horizon DFS



ASSEMBLY KITS

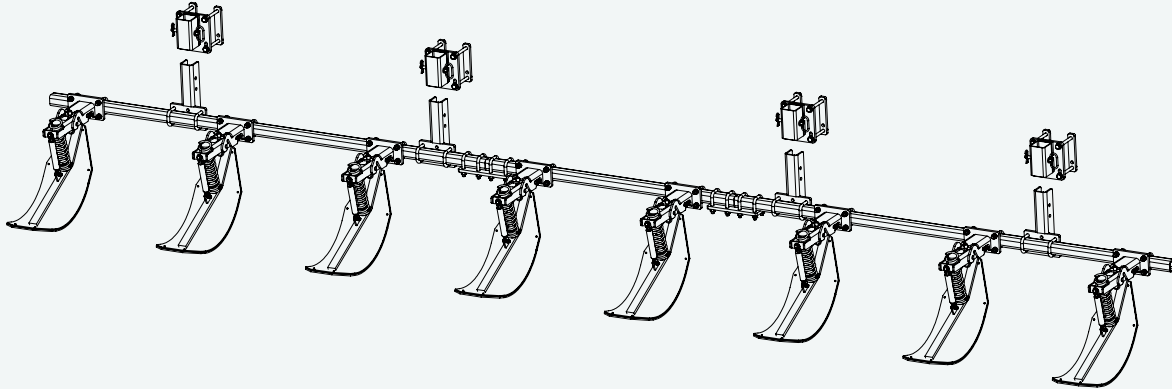
	SINGLE ROW 9" SHOE 73343138 	TWIN ROW 14" SHOE 73343149 	 96" 73343120	 73341224	
Number Of Rows	Kit Part No.	Kit Part No.	2X2 Toolbar	Hand Mounting Brackets	Toolbar Splice
With Toolbar (Toolbar configuration based on 30" rows; Kit will accommodate narrower rows)					
2 Rows	73343484	N/A	Qty 2: 72"	Qty 2 ea.	N/A
4 Rows	73343485	N/A	Qty 2: 72"	Qty 2 ea.	N/A
6 Rows*	73343486	N/A	Qty 2: 96"	Qty 4 ea.	N/A
8 Rows*	73343487	N/A	Qty 1: 72" & Qty 2: 96"	Qty 4 ea.	Optional
12 Rows*	73343488	N/A	Qty 4: 96"	Qty 6 ea.	Optional
16 Rows*	73343489	N/A	Qty 5: 96"	Qty 6 ea.	Optional
18 Rows**	73343490	N/A	Qty 5: 96"	Qty 8 ea.	Optional
Without Toolbar (To reduce cost, the 2x2 toolbar can be removed from the kit. This is standard 2x2 square 1/4" – sidewall tubing available from most fabrication shops or metal supply companies)					
2 Rows	73343491	N/A	N/A	Qty 2 ea.	N/A
4 Rows	73343492	N/A	N/A	Qty 2 ea.	N/A
6 Rows*	73343493	N/A	N/A	Qty 4 ea.	N/A
8 Rows*	73343494	N/A	N/A	Qty 4 ea.	Optional
12 Rows*	N/A	N/A	N/A	Qty 6 ea.	Optional
16 Rows*	N/A	N/A	N/A	Qty 6 ea.	Optional
18 Rows**	N/A	N/A	N/A	Qty 8 ea.	Optional

* Due to variation of implement configurations, row coverage under the feederhouse may not be applicable.

** This kit accommodates 20" & 22" row spacing.




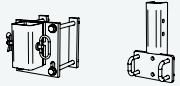
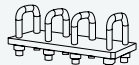
STUBBLE DAMAGE PROTECTION

Quick Disconnect 2-Stalk Stompers for Lexion DFS



NOTE: FITS BRACKET (73341254), ACCOMMODATES 4" – 5" MAIN BEAM.

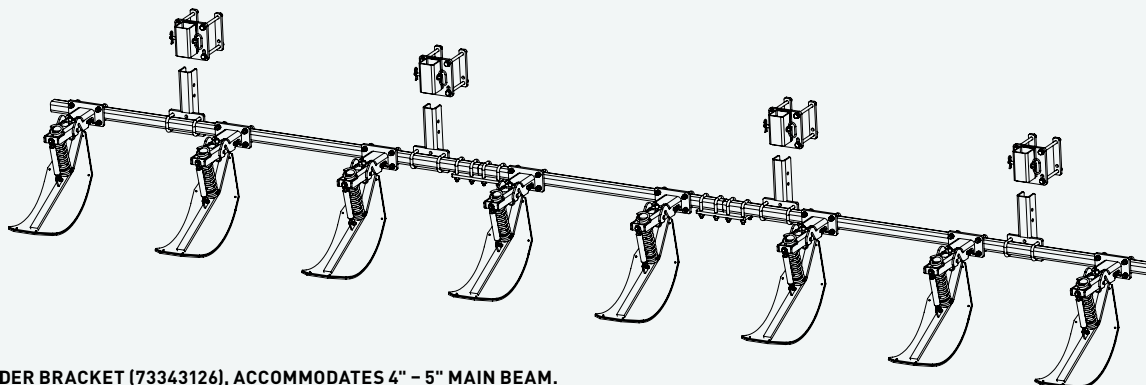
ASSEMBLY KITS

	SINGLE ROW 9" SHOE 73343138 	TWIN ROW 14" SHOE 73343149 	 96" 73343120	 73341254 73341226	 73341224
Number Of Rows	Kit Part No.	Kit Part No.	2X2 Toolbar	Hand Mounting Brackets	Toolbar Splice
With Toolbar (Toolbar configuration based on 30" rows; Kit will accommodate narrower rows)					
2 Rows	73343287	73343299	Qty 2: 72"	Qty 4 ea.	N/A
4 Rows	73343288	73343300	Qty 2: 72"	Qty 4 ea.	N/A
6 Rows*	73343289	73343301	Qty 2: 96"	Qty 4 ea.	N/A
8 Rows*	73343290	73343302	Qty 3: 96"	Qty 4 ea.	Qty 2 ea.
12 Rows*	73343291	73343303	Qty 2: 72" & Qty 3: 96"	Qty 4 ea.	Qty 2 ea.
16 Rows*	73343292	73343304	Qty 5: 96"	Qty 4 ea.	Qty 4 ea.
Without Toolbar (To reduce cost, the 2x2 toolbar can be removed from the kit. This is standard 2x2 square 1/4" – sidewall tubing available from most fabrication shops or metal supply companies)					
2 Rows	73343293	73343305	N/A	Qty 4 ea.	N/A
4 Rows	73343294	73343306	N/A	Qty 4 ea.	N/A
6 Rows*	73343295	73343307	N/A	Qty 4 ea.	N/A
8 Rows*	73343296	73343308	N/A	Qty 4 ea.	Qty 2 ea.
12 Rows*	73343297	73343309	N/A	Qty 4 ea.	Qty 2 ea.
16 Rows*	73343298	73343310	N/A	Qty 4 ea.	Qty 2 ea.

* Due to variation of implement configurations, row coverage under the feederhouse may not be applicable.



STUBBLE DAMAGE PROTECTION

Quick Disconnect 2-Stalk Stompers for Agco: Massey, Gleaner & Challenger DFS



**NOTE: HEADER BRACKET (73343126), ACCOMMODATES 4" – 5" MAIN BEAM.
NOTE: FITS MASSEY FERGUSON 3000, GLEANER 3000 & CHALLENGER**

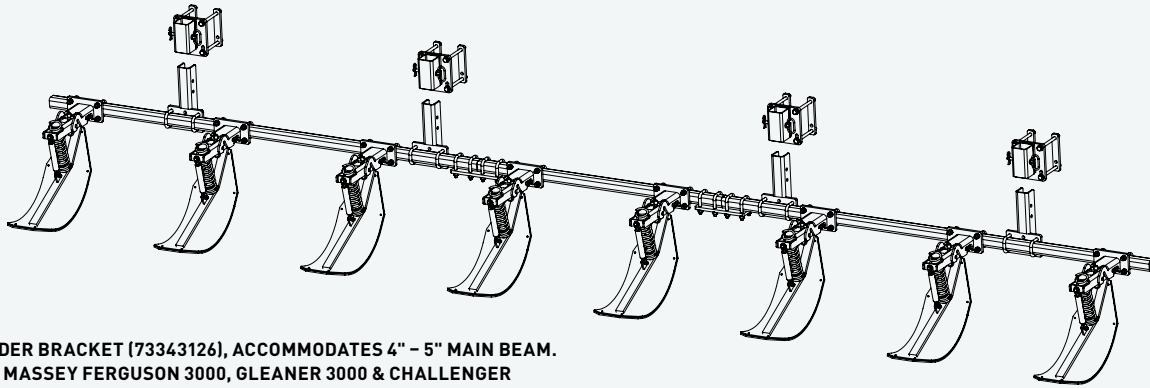
ASSEMBLY KITS

	SINGLE ROW 9" SHOE 73343138 	TWIN ROW 14" SHOE 73343149 	 96" 73343120	 73343126 73341226	 73341224
Number Of Rows	Kit Part No.	Kit Part No.	2X2 Toolbar	Hand Mounting Brackets	Toolbar Splice
With Toolbar (Toolbar configuration based on 30" rows; Kit will accommodate narrower rows)					
2 Rows	73343311	73343321	Qty 2: 72"	Qty 4 ea.	N/A
4 Rows	73343312	73343322	Qty 2: 72"	Qty 4 ea.	N/A
6 Rows*	73343313	73343323	Qty 2: 96"	Qty 4 ea.	N/A
8 Rows*	73343314	73343324	Qty 3: 96"	Qty 4 ea.	Qty 2 ea.
12 Rows*	73343315	73343325	Qty 2: 72" & Qty 3: 96"	Qty 4 ea.	Qty 2 ea.
Without Toolbar (To reduce cost, the 2x2 toolbar can be removed from the kit. This is standard 2x2 square 1/4" – sidewall tubing available from most fabrication shops or metal supply companies)					
2 Rows	73343316	73343326	N/A	Qty 4 ea.	N/A
4 Rows	73343317	73343327	N/A	Qty 4 ea.	N/A
6 Rows*	73343318	73343328	N/A	Qty 4 ea.	N/A
8 Rows*	73343319	73343329	N/A	Qty 4 ea.	Qty 2 ea.
12 Rows*	73343320	73343330	N/A	Qty 4 ea.	Qty 2 ea.

* Due to variation of implement configurations, row coverage under the feederhouse may not be applicable.


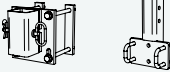

STUBBLE DAMAGE PROTECTION

Quick Disconnect 2-Stalk Stompers for Agco: Massey, Gleaner & Challenger DFS



NOTE: HEADER BRACKET (73343126), ACCOMMODATES 4" – 5" MAIN BEAM.
NOTE: FITS MASSEY FERGUSON 3000, GLEANER 3000 & CHALLENGER

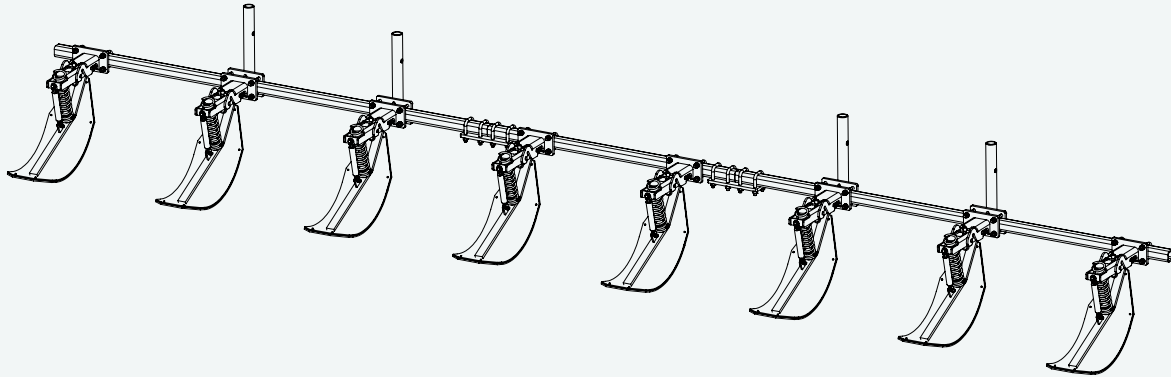
ASSEMBLY KITS

	SINGLE ROW 9" SHOE 73343138	TWIN ROW 14" SHOE 73343149	 96" 73343120	 73343126 73341226	 73341224
Number Of Rows	Kit Part No.	Kit Part No.	2X2 Toolbar	Hand Mounting Brackets	Toolbar Splice
With Toolbar (Toolbar configuration based on 30" rows; Kit will accommodate narrower rows)					
2 Rows	73343311	73343321	Qty 2: 72"	Qty 4 ea.	N/A
4 Rows	73343312	73343322	Qty 2: 72"	Qty 4 ea.	N/A
6 Rows*	73343313	73343323	Qty 2: 96"	Qty 4 ea.	N/A
8 Rows*	73343314	73343324	Qty 3: 96"	Qty 4 ea.	Qty 2 ea.
12 Rows*	73343315	73343325	Qty 2: 72" & Qty 3: 96"	Qty 4 ea.	Qty 2 ea.
Without Toolbar (To reduce cost, the 2x2 toolbar can be removed from the kit. This is standard 2x2 square 1/4" – sidewall tubing available from most fabrication shops or metal supply companies)					
2 Rows	73343316	73343326	N/A	Qty 4 ea.	N/A
4 Rows	73343317	73343327	N/A	Qty 4 ea.	N/A
6 Rows*	73343318	73343328	N/A	Qty 4 ea.	N/A
8 Rows*	73343319	73343329	N/A	Qty 4 ea.	Qty 2 ea.
12 Rows*	73343320	73343330	N/A	Qty 4 ea.	Qty 2 ea.

* Due to variation of implement configurations, row coverage under the feederhouse may not be applicable.

STUBBLE DAMAGE PROTECTION

Quick Disconnect 2-Stalk Stompers for Harvest 5000 & 6000 DFS



ASSEMBLY KITS

	SINGLE ROW 9" SHOE 73343138 	TWIN ROW 14" SHOE 73343149 	 96" 73343120	 73343123	 73341224
Number Of Rows	Kit Part No.	Kit Part No.	2X2 Toolbar	Hand Mounting Brackets	Toolbar Splice
With Toolbar (Toolbar configuration based on 30" rows; Kit will accommodate narrower rows)					
2 Rows*	73343331	73343339	Not Required	Qty 2 ea.	N/A
4 Rows*	73343332	73343340	Not Required	Qty 4 ea.	N/A
6 Rows**	73343333	73343341	Qty 2: 96"	Qty 4 ea.	N/A
8 Rows**	73343334	73343342	Qty 3: 96"	Qty 4 ea.	Qty 2 ea.
12 Rows**	73343335	73343343	Qty 2: 72" & Qty 3: 96"	Qty 4 ea.	Qty 4 ea.
Without Toolbar (To reduce cost, the 2x2 toolbar can be removed from the kit. This is standard 2x2 square 1/4" - sidewall tubing available from most fabrication shops or metal supply companies)					
6 Rows**	73343336	73343344	N/A	Qty 4 ea.	N/A
8 Rows**	73343337	73343345	N/A	Qty 4 ea.	Qty 2 ea.
12 Rows**	73343338	73343346	N/A	Qty 4 ea.	Qty 2 ea.

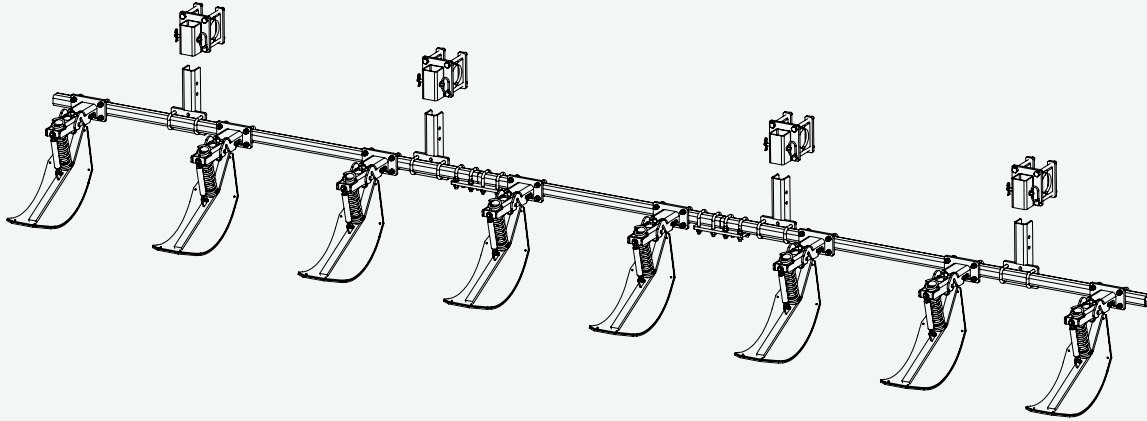
* Toolbar not required for 2-row and 4-row applications.

** Due to variation of implement configurations, row coverage under the feederhouse may not be applicable.




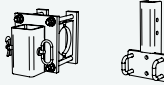
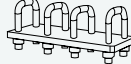


STUBBLE DAMAGE PROTECTION

Quick Disconnect 2-Stalk Stompers for Fantini DFS



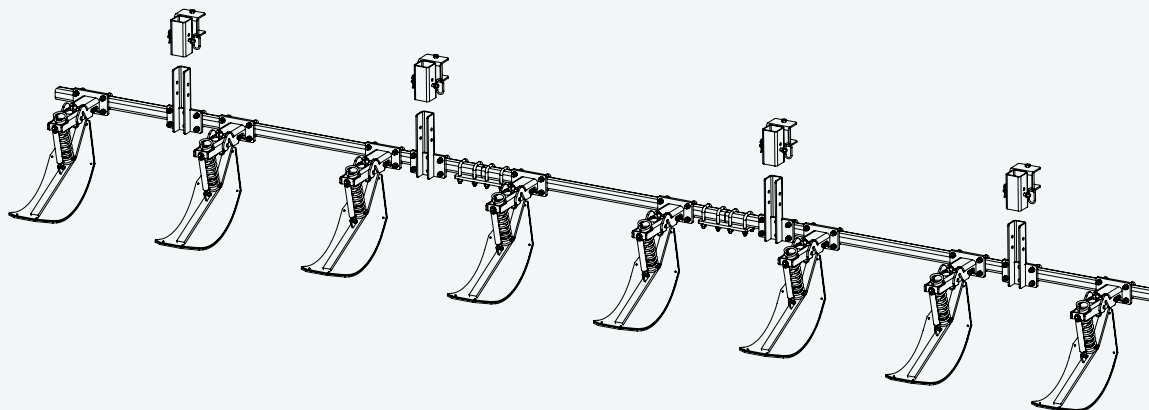
ASSEMBLY KITS

	SINGLE ROW 9" SHOE 73343138 	TWIN ROW 14" SHOE 73343149 	 96" 73343120	 73343443 73341226	 73341224
Number Of Rows	Kit Part No.	Kit Part No.	2X2 Toolbar	Hand Mounting Brackets	Toolbar Splice
With Toolbar (Toolbar configuration based on 30" rows; Kit will accommodate narrower rows)					
2 Rows	73343423	73343433	Qty 2: 72"	Qty 4 ea.	N/A
4 Rows	73343424	73343434	Qty 2: 72"	Qty 4 ea.	N/A
6 Rows*	73343425	73343435	Qty 2: 96"	Qty 4 ea.	N/A
8 Rows*	73343426	73343436	Qty 3: 96"	Qty 4 ea.	Qty 2 ea.
12 Rows*	73343427	73343437	Qty 2: 72" & Qty 3: 96"	Qty 4 ea.	Qty 2 ea.
Without Toolbar (To reduce cost, the 2x2 toolbar can be removed from the kit. This is standard 2x2 square 1/4" – sidewall tubing available from most fabrication shops or metal supply companies)					
2 Rows	73343428	73343438	N/A	Qty 4 ea.	N/A
4 Rows	73343429	73343439	N/A	Qty 4 ea.	N/A
6 Rows*	73343430	73343440	N/A	Qty 4 ea.	N/A
8 Rows*	73343431	73343441	N/A	Qty 4 ea.	Qty 2 ea.
12 Rows*	73343432	73343442	N/A	Qty 4 ea.	Qty 2 ea.




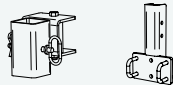
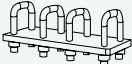
* Due to variation of implement configurations, row coverage under the feederhouse may not be applicable.

STUBBLE DAMAGE PROTECTION

Quick Disconnect 2 Stalk Stompers for Capello DFS



ASSEMBLY KITS

	SINGLE ROW 9" SHOE 73343138 	TWIN ROW 14" SHOE 73343149 	 96" 73343120	 73343131 73341226	 73341224
Number Of Rows	Kit Part No.	Kit Part No.	2X2 Toolbar	Hand Mounting Brackets	Toolbar Splice
With Toolbar (Toolbar configuration based on 30" rows; Kit will accommodate narrower rows)					
2 Rows	73343347	73343361	Qty 2: 72"	Qty 4 ea.	N/A
4 Rows	73343348	73343362	Qty 2: 72"	Qty 4 ea.	N/A
6 Rows*	73343349	73343363	Qty 2: 96"	Qty 4 ea.	N/A
8 Rows*	73343350	73343364	Qty 3: 96"	Qty 4 ea.	Qty 2 ea.
12 Rows*	73343351	73343365	Qty 1: 72" & Qty 2: 96"	Qty 4 ea.	Qty 4 ea.
16 Rows*	73343352	73343366	Qty 5: 96"	Qty 4 ea.	Qty 4 ea.
18 Rows*	73343353	N/A	Qty 1: 72" & Qty 2: 96"	Qty 4 ea.	Qty 4 ea.
Without Toolbar (To reduce cost, the 2x2 toolbar can be removed from the kit. This is standard 2x2 square 1/4" - sidewall tubing available from most fabrication shops or metal supply companies)					
2 Rows	73343354	73343367	N/A	Qty 4 ea.	N/A
4 Rows	73343355	73343368	N/A	Qty 4 ea.	N/A
6 Rows*	73343356	73343369	N/A	Qty 4 ea.	N/A
8 Rows*	73343357	73343370	N/A	Qty 4 ea.	Qty 2 ea.
12 Rows*	73343358	73343371	N/A	Qty 4 ea.	Qty 2 ea.
16 Rows*	73343359	73343372	N/A	Qty 4 ea.	Qty 2 ea.
18 Rows*	73343360	N/A	N/A	Qty 4 ea.	Qty 2 ea.

* Due to variation of implement configurations, row coverage under the feederhouse may not be applicable.

CHOPPING CORN HEADER KITS

Convenient repair kits include OEM repair parts and the correct hardware.

Chopper Knife Kit DEPOT

Part No.	Description
47800623	Chopper Knife Kit, 980C corn headers
73340672	Chopper Replacement Kit includes mower blades and all hardware for one row, 99C chopping corn headers



PART NO. 73340672

Chopper Conversion Kits DEPOT

Includes: Gearboxes and hardware to convert a non-chopping head to chopping for improved residue management

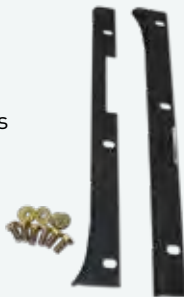
Part No.	Description
47376615	12 Row Folding head
47376625	12 Row Rigid head
47376623	8 Row Rigid head
47376621	6 Row head

Weed Knife Kit DEPOT

Part No. 73340675

Application: 99C chopping corn headers

Includes: Weed knives and all hardware for one row



Chain & Sprocket Kit DEPOT

Part No.	Application
73340676	99C chopping corn headers – Includes gathering chains (2), drive and idler sprockets and hardware for one row
47776414	980C corn headers

PART NO. 73340676



Knife Roll Lower Bearing Kit DEPOT

Part No. 73340674

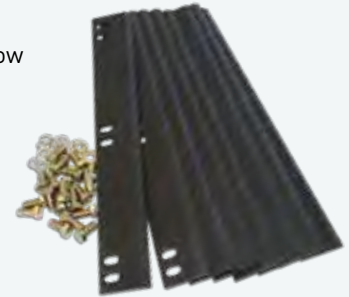
Includes: Bearings, pins, bushings and all other necessary hardware for one row



Knife Replacement Kit DEPOT

Part No. 73340673

Includes: Knives (8) and all necessary hardware for one row



Hydraulic-Driven Spiral Cone Kit DEPOT

- Actively lifts the stalks over the side sheets and conveys them to the row units
- Improves the gathering of down or leaning corn
- Reduces the possibility of losing ears, as down or leaning corn is pulled over the side sheets

Part No.	Application
84339809	99C06R, 99C08R, 99C12R chopping corn headers
47376590	980CR chopping corn headers
47376592	980CR 12 Row Folding



CHOPPING CORN HEADER KITS

DEALER INSTALLED ACCESSORIES

Corn Header DIA Kits

Application: 99C series corn headers, MY2013

Part No.	Description
84339809	Hydraulic Auger Divider Attachment, 6-, 8- and 12-Row, MY2010 and Later
84164300	Tall Corn Attachment 99C, 6-, 8- and 12-Row
84321360	Hood Latch Upgrade 99C, 6-, 8- and 12-Row
84976914	Dustscreen, 6-Row and 8-Row Folding
87398718	Dustscreen, 8-Row and 12-Row
84361624	Central Auger Disc
87517559	Auger Rubber Flaps, 6-Row, 8-Row, 8-Row Folding, and 12-Row

Part No.	Description	MUO
B95583A	Standard Kit - Knives 96C series corn header Repair Kit	96C
B95584A	Complete Roll and chain assembly, 1 Row, Chrome pins	96C
B95585A	Stalk Roll and corn header Sprockets	98C230, 96C630, 96C1220, 98C630, 98C1220, 96C436, 98C830, 96C822, 96C430,
B96153A	Deluxe kits, 1 row, regular duty chain	96C



PART NO. B95583A



PART NO. B95584A

PICKUP BELTS & HEADER DIA KITS

790CP – WINDROW PICKUP HEADER

DEPOT

Part No.	Description
Belts	
84203782	Pickup Belts with Tines, 12 ft. head
84203788	Pickup Belts with Tines, 15 ft. head
87483229	Transfer Belt
84333198	Pickup Tines
Header DIA Kits	
84268018	In Cab Hyd Flotation Kit
47460423	Short Crop Hold Down, 12 ft. head
47464848	Short Crop Hold Down, 15 ft. head
84390107	Auger Flighting
84390110	CX Completing Kit
84304459	3rd Stripper Kit
47537020	Auger Assembly Kit
84268133	Fixed Gauge Wheel Kit
84268136	Caster Gauge Wheel Kit
84266747	High Speed Auger Sprocket
47481283	Kit-Draper Frame Brackets
47479751	Kit Assembly, Idler
374895	Bolt, Carriage ssnk 12x25-(6)
47635954	Short Crop Tine Limiter Kit
47454967	Stripper, 15" dark gray
47732764	Kit, False floor
47787129	Kit, Short Crop Hold Down
47635954	Kit, Short Crop Tine Limiter





COMBINE KITS - CR

FEEDER KITS

Feeder Chains DEPOT

Part No.	Description	Application
87372056	Feeder Chain, 3-Strand, 4-Strand, (narrow units – 34.38")	CR920, CR940, CR960, CR9040, CR9065, CR9060, CR9070, CR6090A4, CR7090A4, CR8080A4 combines
87372057	Feeder Chain, 3-Strand, (wide units – 44.5")	CR970, CR9060, CR9070, CR9080, CR9090 combines
48103499	Feeder Chain, 4-Strand	CR9060, CR9070, CR9080A3 (Tier 3), CR9080, CR8090A3, CR9090, CR8090A4, CR9080A3, CR9090A4 combines

Grain Elevator DEPOT

Part No. 47949285

Application: CR920, CR940, CR960, CR970, CR9040, CR9065, CR9060, CR9070, CR9080, CR9090, CR9080A3 (Tier 3), CR6090A4, CR7090A4, CR8080A4, CR8090A3, CR8090A4, CR9080A3, CR9090A4 combines

Includes: Grain elevator – Bolted (not offered direct ship)

Lower Feeder Drum Bearing Kit – One Side DEPOT

Part No. 87297793

Application: CR920, CR940, CR960, CR970, CR980, CR9040, CR9065, CR9060, CR9070, CR9080 combines

- Heavy-duty bearing
- Includes mounting hardware

TRACK KITS

DFS

Rubber Track Assembly Kits

PRODUCT FEATURES

- Can travel up to 19 mph
- Features 36" wide tracks for better flotation (the competition offers 32" tracks)
- Center pivot provides equal ground pressure front to rear — not offset like others, with more weight on the rear than the front
- Lower pivot point provides better flotation
- Tracks feature hydraulic tensioning



Model	Installation Kit Part No.	Track Kit Part No.
CR6090, CR7090, CR8080, From MY2012 up to MY2018	84370816 for Narrow Frame – Includes Mounting Hardware, Track Final Drives, Hydraulic Lines/Hoses, 2 Truss Rods	84130512 (Goodyear) or 84480203 (Camoplast)
CR8090, CR9090, From MY2012 up to MY2018	84425641 for Wide Frame – Includes Mounting Hardware, Track Final Drives, Hydraulic Lines/Hoses, 2 Truss Rods	84130512
CR9070, CR9080, MY2011 and Prior	87477345 for Wide Frame – Includes Mounting Hardware, Track Final Drives, Hydraulic Lines/Hoses, 2 Truss Rods	
CR9040, CR9060, CR9065, MY2011 and Prior	87477346 for Narrow Frame – Includes Mounting Hardware, Track Final Drives, Hydraulic Lines/Hoses, 2 Truss Rods	

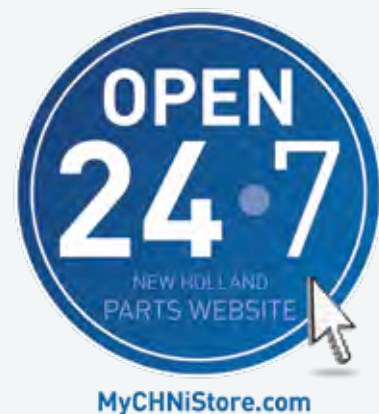
PLEASE NOTE

Before MY2011 wide and narrow frame combines will need new left and right step rails.

- Left Step Rail: Part No. 84294369
- Right Step Rail: Part No. 84292750
- For combines ordered with planetary final drives, you must obtain the larger hydrostat pump/motor and differential

If operating in muddy or hilly conditions, outfitting combines with the following is suggested:

- Two speed powered rear axle conversion kit – Part No. 84110799
- PRA flow limiters to prevent rear wheel spinout (available from the depot only)
 - Flow Regulator – Reverse Flow – Part No. 87283482 – Quantity: 2
 - Flow Regulator – Forward Flow – Part No. 87283385 – Quantity: 2



ROTORS AND COMPONENTS

DFS

- Ready to install
- Factory-assembled and balanced for smooth operation



Rotor Part No.	Description	Shaft	Rasp Bar	Qty	Finger	Qty	Coupler	Blade Set	Qty
22"									
84591415	22" LH Rotor, Small Grain	84328730	84050519	3			84222993	87011610	3
84591418	22" RH Rotor, Small Grain	84328730	84050520	3			84222993	87011610	3
84590644	22" LH Hard to Thresh	84328730	84060998 84050519	3 3			84222993	87011610	9
84591343	22" RH Hard to Thresh	84328730	84060997 84050520	3 3			84222993	87011610	9
84591486	22" LH Rotor, Twin Pitch Corn/Grain	84328730	278821A3 278820A5	38 8			84222993		
84591487	22" RH Rotor, Twin Pitch Corn/Grain	84328730	47616142 47616143	38 8			84222993		
84591381	22" RH Corn & Bean	84328730	84050520 86594016	1 6	84050517	6	84222993	87011610	9
84591349	22" LH Corn & Bean	84328730	84050519 86594015	1 6	84050517	6	84222993	87011610	9
84591456	22" Twin Pitch Rice RH	84328730	47616143	46			84222993		
84591441	22" Twin Pitch Rice LH	84328730	278820A5	46			84222993		
17"									
47459609	17" RH Small Grain	84597804	86503256	3	84050517	4	86567237	87011610	6
47459611	17" LH Small Grain	84597804	86503255	3	84050517	4	86567237	87011610	6
47459604	17" RH Hard to Thresh Small Grain	84597804	86503256 9800346	3 3	84050517	4	86567237	87011610	6
47459606	17" LH Hard to Thresh Small Grain	84597804	86503255 9800347	3 3	84050517	4	86567237	87011610	6
84592086	17" RH Rotor Assy, Small Grain	86581042	86503256 9800346	3 3	84050517	4	86567237	87011610	6
84592391	17" LH Rotor Assy, Small Grain	86581042	86503255 9800347	3 3	84050517	4	86567237	87011610	6
84592020	17" RH Corn & Bean	86581042	86503256 9800346 918566	1 3 4	84050517	4	86567237	87011610	6
84592392	17" LH Corn & Bean	86581042	86503255 9800347 918565	1 3 4	84050517	4	86567237	87011610	6
47459615	17" RH Corn & Bean	84597804	86503256 9800346 918566	1 3 4	84050517	4	86567237	87011610	6
47459617	17" LH Corn & Bean	84597804	86503255 9800347 918565	1 3 4	84050517	4	86567237	87011610	6
47365685	17" LH Twin Pitch Corn & Grain	84597804	278821A3 278820A5	32 6			86567237		
47365687	17" RH Twin Pitch Corn & Grain	84597804	47616142 47616143	32 6			86567237		
47466384	17" RH Twin Pitch Rice	84597804	47616143	38			86567237		
47466382	17" LH Twin Pitch Rice	84597804	278820A5	38			86567237		
47368096	17" LH Twin Pitch Rice	86581042	278820A5	38			86567237		
47368097	17" RH Twin Pitch Rice	86581042	47616143	38			86567237		

ROTOR COMPONENTS & KITS

Beater Grate Cover Plates DEPOT

- Recommended for soybeans and most corn varieties
- Provides a smooth surface for crop to pass over

Part No.	Application
87333877	CR6090, CR7090, CR940, CR960 CR9040, CR9060, CR9065 (S/N HAJ103301 and above)
87333878	CR8090, CR970, CR9070, CR9080 (S/N HAJ103301 and above); CR9000 series combines, MY2011 and later



PART NO. 87333877



PART NO. 87333878

Rotor Ramp Kit DEPOT

Part No. 87297872

Application: CR970, CR9070, CR980

Includes: Rotor ramp, seal, angle and mounting hardware



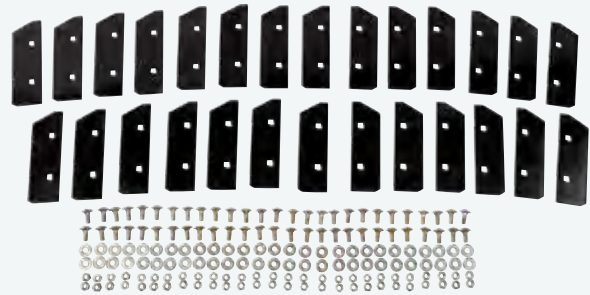
PART NO. 87297872

Complete Paddle Kit DEPOT

Part No. 87297875

Application: CR920, CR940, CR960, CR9040, CR9065, CR9060, CR9070, CR9080

Includes: 27 paddles and mounting hardware



Rotor Paddle Kit DEPOT

Part No. 87297791

Application: For all CR combines

Includes: Three (3) paddles and hardware



Rotor Ramp Kit DEPOT

Part No. 87297797

Application: CR9060, CR9040, CR960, CR940

Includes: Rotor ramp, seal, angle and mounting hardware



PART NO. 87297797

ROTOR KITS

Plate Kits – Rotor DEPOT

Includes: Plates and hardware to service one rotor

Part No.	Description	Application
B96676	LH Rotor	CR940, CR960, CR9040, CR9060
B96657	RH Rotor	CR940, CR960, CR9040, CR9060



Lug Kits – Rotor DEPOT

Includes: Lugs and hardware to service one rotor

Part No.	Description	Application
B96658	LH Rotor	CR940, CR960, CR9040, CR9060
B96656	RH Rotor	CR940, CR960, CR9040, CR9060
87297782	LH Rotor	CR970, CR9070
87297783	RH Rotor	CR970, CR9070



Plate & Lug Kit – One Rotor DEPOT

Includes: Plates, lugs and mounting hardware to service one rotor

Part No.	Description	Application
B96203	LH Rotor	CR940, CR960, CR9040, CR9060
B96204	RH Rotor	CR940, CR960, CR9040, CR9060



Plate & Lug Kit – Both Rotors DEPOT

Includes: Plates, lugs and mounting hardware to service both rotors

Part No.	Description	Application
B96205	Both LH, RH	CR940, CR960, CR9040, CR9060
87297870	Both LH, RH	CR970, CR9070



Serrated Lugs and Wiffle Kits

Includes: Lugs and hardware to service both rotors

Using serrated lugs in tough crop conditions will reduce the wear on the front rasp bars and feeder chain. These lugs can be used for wet or tough straw, greet stem soybeans or any crop that follows the feeder chain without going into the rotor.

Part No.	Application
84124302	CR9070; CR series Tier 4 combines, MY2015
84136397	CR9000 series combines, MY2011 and later; CR8090

THRESHING SYSTEM KITS

DEALER INSTALLED ACCESSORIES

Threshing DIA Kits

Check with your dealer or the online parts catalog for full details on the below available kits.

Part No.	Description	Application
87659982	Rotor Covers Adj. Vanes, ABR, 22"	CR9000 series combines, MY2011 and later
87664012	Rotor Covers Adj. Vanes, ABR, 17"	CR9000 series combines, MY2011 and later; CR series Tier 4 combines, MY2015
47556848	Rotor Covers Adj. Vanes, ABR	CR9000 series combines, MY2011 and later; CR8000 series combines, MY2013
47493460	Concave Universal A	CR6090, CR7090, CR8080
47493466	Concave Universal A	CR9080, CR8090
47449670	Abrasive Wear Concave - Small Grain - 17" Rotor Size	CR920, CR940, CR960, CR970, CR9040, CR9060, CR9070
47449706	Abrasive Wear Concave - Small Grain - 22" Rotor Size	CR920, CR940, CR960, CR970, CR9040, CR9060, CR9070
47449652	Abrasive Wear Concave - Round Bar - 17" Rotor Size	CR920, CR940, CR960, CR970, CR9040, CR9060, CR9070
47449678	Abrasive Wear Concave - Round Bar - 22" Rotor Size	CR920, CR940, CR960, CR970, CR9040, CR9060, CR9070
87665920	Abrasive Wear Concave - Small Grain Special - Field Pea- 17" Rotor Size	CR9040 - CR9070 Tier 3, CR6090 - CR8080 Tier 4
47449701	Abrasive Wear Concave - Small Grain Special - Field Pea- 22" Rotor Size	CR9040 - CR9070 Tier 3, CR6090 - CR8080 Tier 4
47449662	Abrasive Wear Concave - Rice/Bean - 17" Rotor Size	CR9040 - CR9070 Tier 3, CR6090 - CR8080 Tier 4
47449690	Abrasive Wear Concave - Rice/Bean - 22" Rotor Size	CR9040 - CR9070 Tier 3, CR6090 - CR8080 Tier 4
47493460	Concave Pair - 17" (rice, bean)	CR9000 series combines, MY2011 and later; CR8000 series combines, MY2013
47493466	Concave Pair - 22" (rice, bean)	CR9000 series combines, MY2011 and later; CR8000 series combines, MY2013
87655990	Concave, Small Grain ABR	CR9090, CR8090
47493458	Concave, Small Grain ABR	CR series Tier 4 combines, MY2015
47493457	Concave, Small Grain	CR6090, CR7090, CR8080
47493457	Concave Pair - 17" (small grain)	CR9000 series combines, MY2011 and later; CR8000 series combines, MY2013
47493463	Concave Pair - 17" (small grain)	CR9000 series combines, MY2011 and later; CR8000 series combines, MY2013
47493464	Concave Pair - 22" (small grain)	CR9000 series combines, MY2011 and later
47493468	Concave, Round Bar, ABR	CR9090, CR8090
47449656	Concave, Round Bar	CR8080; CR series Tier 4 combines, MY2015
47493462	Concave, Round Bar, ABR	CR series Tier 4 combines, MY2015; CR8090; CR8000 series combines, MY2013
47449652	Concave Pair - 17" (round bar)	CR9000 series combines, MY2011 and later
47449678	Concave Pair - 22" (round bar)	CR9000 series combines, MY2011 and later
47493459	Concave, Field PEA SP ABR	CR8090; CR8000 series combines, MY2013
84095825	Concave Removal Kit	CR8000 series combines, MY2013

THRESHING SYSTEM KITS

DEALER INSTALLED ACCESSORIES

Threshing DIA Kits

Check with your dealer or the online parts catalog for full details on the below available kits.

Part No.	Description	Application
84081646	Sunflower Cover Kit, 22" Rotor	CR9000 series combines, MY2011 and later; CR8000 series combines, MY2013
84095827	Sunflower Cover Kit A	CR8000 series combines, MY2013
84084525D	Hard Threshing Kit	CR9000 series combines, MY2011 and later
84499357	Hard Threshing Kit	CR series Tier 4 combines, MY2015
87029633	Crop Cutter Assembly (set of 3 knives and hardware)	CR9000 series combines, MY2011 and later
84286247	Spacer Kit, Concave Latch	CR9000 series combines, MY2011 and later
87552425	Fishbone Concave, 17"	CR9070, CR8080, CR series Tier 4 combines, MY2015
87552426	Fishbone Concaves	CR9000 series Combines, MY2011 and later; CR8000 series combines, MY2013
47632367	Finger Style Separator Grate, 17" Rotor Kit of 2 Pieces	CR9000 series combines, MY2011 and later; CR8000 series combines, MY2013
47632368	Finger Style Separator Grate, 22" Rotor Kit of 2 Pieces	CR series Tier 4 combines, MY2015
84191809	Twin Pitch Rebuild – Small Grain, Corn and Bean	CR9000 series combines, MY2011 and later; CR8090
84366573	Twin Pitch Rebuild – Rice	CR9000 series combines, MY2011 and later; CR8090
84060988	Stainless Steel Cover Kit	CR9040, CR9060, CR920, CR940, CR960; CR8000 series combines, MY2013
84060985	Stainless Steel Cover Kit	CR9070, CR9080, CR9090, CR970, CR980
316385	Vertical Covers on Walkers	CX8070, CX8.80, CX8.90, CX8080, CX8090
84095829	Deawning Slats Modified A	CR8000 series combines, MY2013
84095830	Deawning Slats Universal A	CR8000 series combines, MY2013
84110384	Beater Plates	CR8000 series combines, MY2013
47668115	Beater Pins	CR8000 series combines, MY2013
84110390	Add. Strawwalker Fishbacks	CX8070, CX8.80, CX8.90, CX8080, CX8090
84083913	Round Bar Grates	CR8080; CR series Tier 4 combines, MY2015
84124301	Kit – Conical Agitator Pins	CR8000 series combines, MY2013
84434370	Perforated Grate	CR series Tier 4 combines, MY2015
47439521	Twin Pitch Rebuild Small Grain & Corn Bean	CR series Tier 4 combines, MY2015
47439520	Twin Pitch Rebuild Rice	CR series Tier 4 combines, MY2015
412162002	Wet Corn Thresh Conv. Kit	CR series Tier 4 combines, MY2015
412163002	Wet Corn Thresh Conv. Kit, Includes Covers	CR series Tier 4 combines, MY2015

THRESHING SYSTEM KITS

Concave Kit With Wires Installed

Includes: Concave extension with wire installed for labor savings during critical harvest season

- Heavy-duty welded frame
- Engineered to maximize the performance on the CR combines
- Original equipment components

UNIVERSAL CONCAVE KITS DFS

Part No.	Application
87298839	CR970

SMALL GRAIN CONCAVES WITH WIRES INSTALLED DEPOT

Part No.	Application
47449670	CR940, CR960, CR6090, CR7090, CR8080; CR9000 series combines, 2011 and later
47449706	CR970; CR9000 series combines, 2011 and later

Separator Grates DEPOT

ROUND BAR SEPARATOR GRATES

Part No.	Application
87012800	CR940, CR960, CR9065, CR970, CR9070, CR920, CR8090, CR940, CR960, CR980, CR9080, CR9090, CR9440, CR9060; CR9000 series combines, 2011 and later
86974251	CR970 combines; CR9000 series combines, 2011 and later; CR8000 series combines, 2013

PART NO.
87012800



Agitator Threshing Pins DEPOT

Part No.	Size	Application
9845842	Short Finger 1.5", Set of 2	CR940, CR960, CR6090, CR7090, CR8080, CR9040, CR9060, CR9065
84050517	Short Finger 1.5", Set of 3	All CR series Tier 3 and Tier 4
9845843	Long Finger 2.25", Set of 2	CR940, CR960, CR6090, CR7090, CR8080, CR9040, CR9060, CR9065
84050518	Long Finger 2.25", Set of 3	All CR series Tier 3 and Tier 4



PART NO.
9845842

Concave Awning Plates DEPOT

Part No.	Application
84083486	CR940, CR960, CR6090, CR7090, CR8080, CR9040, CR9060; CR9000 series combines, 2011 and later
84083487	CR9040, CR9060, CR9070, CR9080, CR9090, CR6090, CR7080, CR8080, CR8090; CR9000 series combines, 2011 and later



PART NO.
84083486

SLOTTED SEPARATOR GRATES

Part No.	Application
84434370	CR940, CR960; CR9000 series combines, 2011 and later; CR8000 series combines, 2013
84434371	CR9080, CR970, CR9090, CR920, CR8090, CR940, CR9070, CR980, CR9080, CR960, CR9040, CR9060; CR9000 series combines, 2011 and later; CR8000 series combines, 2013

RASP BAR KITS DEPOT

- All New Holland rasp bar kits include heavy-duty heat-treated nodular iron rasp bars and 10.9 metric bolts
- All sets are weight-sorted to maximize the balance and performance of New Holland rotors

- Leading rasp bars are hard-surfaced for longer wear
- Original equipment New Holland components

Smooth Rasp Bar Kits

Recommended for specialty crops.

PART NO.
86512697



Part No.	Description	Application
86512698	LH	CR9000 series combines, 2011 and later; CR series Tier 4 combines, 2015
86512697	RH	All CR series Tier 3 and Tier 4
712446002	LH	CR970, CR9040, CR9060, CR9070, CR9080; CR9000 series combines, 2011 and later
712447002	RH	CR9000 series combines, 2011 and later
712446002	LH	CR8000 series combines, 2013
712447002	RH	CR8000 series combines, 2013

Leading Rasp Bar Kits

SET OF TWO BARS (THREE SETS REQUIRED)

Part No. 86503255 (LH), 86503256 (RH)

Application: CR940, CR9040, CR960, CR9060, CR9065 combines



PART NO. 86503255

Leading Rasp Bar Kits

SET OF THREE BARS (THREE SETS REQUIRED)

Part No. 84050519 (LH), 84050520 (RH)

Application: CR970, CR9070 combines



PART NO. 84050520

Trailing Rasp Bar Kits

SET OF TWO BARS (THREE SETS REQUIRED)

Part No. 9800347 (LH), 9800346 (RH)

Application: CR940, CR9040, CR960, CR9060, CR9065 combines



PART NO. 9800347

Trailing Rasp Bar Kits

SET OF THREE BARS (THREE SETS REQUIRED)

Part No. 84060998 (LH), 84060997 (RH)

Application: CR970, CR9070, CR9080, CR9090, CR8090 combines



PART NO. 84060997

RASP BAR KITS DEPOT

Rasp Bar Kit – One Rotor*

Includes: Both leading and trailing rasp bars (to service one rotor) and 10.9 metric hardware

Part No.	Description	Application
82797034	LH Rotor	CR940, CR960, CR9040, CR9060
82797035	RH Rotor	CR940, CR960, CR9040, CR9060



▲ PART NO. 82797034

Rasp Bar Kit – Both Rotors*

Includes: Both leading and trailing rasp bars (to service both LH and RH rotor – CR9040, CR9060 Combines) and 10.9 metric hardware

Part No.	Description	Application
B96206	Both LH, RH	CR940, CR960, CR9040, CR9060
87297788	Both LH, RH	CR970, CR9070 (leading bars only)



◀ PART NO. B96206

Rasp Bar Kit – Leading*

Includes: Leading rasp bars and hardware (10.9 metric bolts) to service one rotor

Rasp bars are heavy-duty nodular iron, heat treated and hard-faced for superior wear life.

Part No.	Description	Application
87297786	LH Rotor	CR970, CR9070
82797030	LH Rotor	CR940, CR960, CR9040, CR9060
82797031	RH Rotor	CR940, CR960, CR9040, CR9060



▲ PART NO. 82797031

Rasp Bar Kit – Trailing*

Includes: Trailing rasp bars and hardware (10.9 metric bolts) to service one rotor

Rasp bars are heavy-duty nodular iron and heat treated for longer service life.

Part No.	Description	Application
82797032	LH Rotor	CR940, CR960, CR9040, CR9060
82797033	RH Rotor	CR940, CR960, CR9040, CR9060



▲ PART NO. 82797032

* Rasp bars are shipped unpainted to meet torque specifications.

CLEANING KITS

Front Shaker Shoe Bushing Kit

Part No. 87297804

Application: All CR combines

Includes: Original equipment, bushings and hardware.



Opti-Spread™ Kits

Application: CR series Tier 3 & CR series Tier 4

Part No.	Description
87723591	LH Extention for Opti-Spread Only
87723599	RH Extention for Opti-Spread Only
48043194	LH Rotor for Disc Assembly, Opti-Spread
48043201	RH Rotor for Disc Assembly, Opti-Spread

DEALER INSTALLED ACCESSORIES

Cleaning DIA Kits

Check with your dealer or the online parts catalog for full details on the below available kits.

Part No.	Description	Application
84050397	Fan Bottom Shield – Wide	CR9000 series, MY2011 and Later
84060079	Fan Bottom Shield – Narrow	CR9000 series, MY2011 and Later
84067682	Roto Thresh Covers – Smooth	CR9000 series, MY2011 and Later
84149941	Grain Pan Side Slope Kit	CR9000 series, MY2011 and Later; CR6000, CR7000, CR8000 series, MY2013
84357175	Corn Cleaning Conv Kit	CR6000, CR7000, CR8000 series, MY2013
84357179	Corn Cleaning Conv Kit	CR9000 series, MY2011 and Later; CR6000, CR7000, CR8000 series, MY2013
87616336	SL Fan Bottom Shield	All CR9000 series, MY2013

**PART NO.
84067682**



**PART NO.
87616336**



SIEVES

Check with your dealer for our complete offering.

CR Series Combines Sieves

UPPER SIEVES



ADJUSTABLE
LOWER SIEVE

Part No.	Description	Application
87109842	Sieve 1-1/8" Peterson Slat, 2 Handles, Part is Not Remote Ready	CR970, CR980, CR9070, CR9080, CR8090, CR9090
87109834	Sieve 1-5/8" Corn Slat, 1 Handle, Part is Not Remote Ready	CR970, CR980, CR9070, CR9080, CR8090, CR9090
87109838	Sieve 1-5/8" Closz Slat, 2 Handles, Part is Not Remote Ready	CR970, CR980, CR9070, CR9080, CR8090, CR9090
87109830	Sieve 1-1/8" Closz Slat, High Capacity, 2 Handles, Part is Not Remote Ready	CR970, CR980, CR9070, CR9080, CR8090, CR9090
87109840	Sieve 1-1/8" Peterson Slat, 2 Handles, Part is Not Remote Ready	CR920, CR940, CR960, CR6090, CR7090, CR8080, CR9070, CR9080, CR9065
87109832	Sieve 1-5/8" Corn Slat, 1 Handle, Part is Not Remote Ready	CR920, CR940, CR960, CR6090, CR7090, CR8080, CR9070, CR9080, CR9065
87109836	Sieve 1-5/8" Closz Slat, 2 Handles, Part is Not Remote Ready	CR920, CR940, CR960, CR6090, CR7090, CR8080, CR9070, CR9080, CR9065
87109828	Sieve 1-1/8" Closz Slat, 2 Handles, Part is Not Remote Ready	CR920, CR940, CR960, CR6090, CR7090, CR8080, CR9070, CR9080, CR9065
84084324	Sieve, 1-5/8" Closz Slat Upper – 62"	CR9000 series, MY2011 and Later
84084981	Sieve, 1-1/8" Peterson Upper – 62"	CR9000 series, MY2011 and Later
84084664	Sieve, 1-5/8" Corn Slat Adjustable Upper – 62"	CR9000 series, MY2011 and Later
84084662	Sieve, 1-5/8" Corn Slat Adjustable Upper – 52"	CR9000 series, MY2011 and Later; CR6000, CR7000, CR8000 series, MY2013
51411966	Sieve, 1-1/8" Upper – 62"	CR9000 series, MY2011 and Later
51411967	Sieve, 1-1/8" Upper – 52"	CR9000 series, MY2011 and Later

LOWER SIEVES

Part No.	Description	Application
87109848	Sieve Closz Slat, 1-5/8", Galvanized, Part is Not Remote Ready	CR920, CR940, CR960, CR6090, CR7090, CR8080, CR9070, CR9080, CR9065, CR9040, CR9060
84319322	Sieve GRAIN Slat, 1-1/8", Galvanized, Part is Not Remote Ready	CR920, CR940, CR960, CR6090, CR7090, CR8080, CR9070, CR9080, CR9065, CR9040, CR9060
87109850	Sieve Closz Slat, 1-5/8", Galvanized, Part is Not Remote Ready	CR970, CR980, CR9070, CR9080, CR8090, CR9090
84319323	Sieve GRAIN Slat, 1-1/8", Galvanized, Part is Not Remote Ready	CR970, CR980, CR9070, CR9080, CR8090, CR9090
84084325	Sieve, 1-1/8" Adjustable Lower – 52"	CR9000 series, MY2011 and Later
84084326	Sieve, 1-1/8" Adjustable Lower – 62"	CR9000 series, MY2011 and Later
84084327	Sieve, 1-5/8" Closz Slat Adjustable Lower – 52"	CR9000 series, MY2011 and Later; CR6000, CR7000, CR8000 series, MY2013
84084328	Sieve, 1-5/8" Closz Slat Adjustable Lower – 62"	CR9000 series, MY2011 and Later; CR6000, CR7000, CR8000 series, MY2013

SIEVES

Check with your dealer for our complete offering.

CR Series Combines Sieves

FRONT SIEVES

Part No.	Description	Application
87109821	Sieve, Pre-Cleaner, 1-5/8" Corn Slat Adjustable – 62"	CR920, CR940, CR960, CR970, CR980, CR6090, CR7090 and all CR9000 series
87109819	Sieve, Pre-Cleaner, 1-5/8" Corn Slat Adjustable – 52"	CR920, CR940, CR960, CR970, CR980, CR6090, CR7090, CR8080, CR8090 and all CR9000 Series, MY2011 and Later
87109817	Sieve, Pre-Cleaner, 1-1/8" Adjustable – 62"	CR920, CR940, CR960, CR970, CR980, CR6090, CR7090, CR8080, CR8090, CR9040, CR9060, CR9070, CR9080, CR9090
84076561	Sieve Closz Slat, 1-1/8", Painted	CR970, CR980
87109815	Sieve Closz Slat, 1-1/8", Galvanized	CR920, CR940, CR960, CR970, CR980, CR6090, CR7090, CR8080, CR8090 and all CR9000 series, MY2011 and Later
84077046	Sieve Closz Slat, 1-1/8", Painted	CR920, CR940, CR960
87109824	Sieve, Pre-Cleaner, 1-5/8" Closz Slat Adjustable – 52"	CR920, CR940, CR960, CR970, CR980, CR6090, CR7090, CR8080, CR8090 and all CR9000 series, MY2011 and Later
87109826	Sieve, Pre-Cleaner, 1-5/8" Closz Slat Adjustable – 62"	CR920, CR940, CR960, CR970, CR980, CR6090, CR7090, CR8080, CR8090 and all CR9000 series, MY2011 and Later
87105820	Sieve Closz Slat, 1-5/8", Painted	CR970, CR980
84432132	Sieve Corn Slat, 1-5/8", Painted	CR970, CR980
84432256	Sieve Corn Slat, 1-5/8", Painted	CR920, CR940, CR960

PRE SIEVES

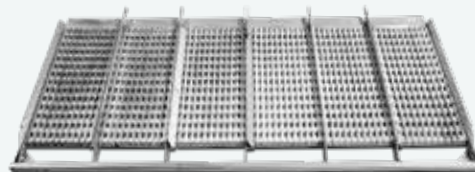
Part No.	Description	Application
47389902	Pre-Sieve 1-1/8"	CR9000 series, MY2011 and Later; CR6000, CR7000, CR8000 series, MY2013
84462833	Pre-Sieve Closz 1-5/8"	All CR9000 series, MY2013
84050436	Pre-Sieve High Capacity 1-5/8"	All CR9000 series, MY2013
47389899	Pre-Sieve 1-1/8"	CR6000, CR7000, CR8000 series, MY2013



← **PART NO.**
84076561



← **PART NO.**
87109817



← **PART NO.**
87109826

SIEVES

Sieve Types				
Sieves	Type	Crops	Positions	Opening
Pre Sieve	Hart Carter 1-5/8"	Corn	Fixed	Adjustable
	Closz Sieve 1-5/8"			
	Hart Carter 1-5/8"	Cereals, Corn	Fixed	Adjustable
Upper Sieve	Hart Carter 1-5/8"	Cereals	Two	Adjustable**
	Closz Sieve 1-5/8"			
	Curved Louver Sieve 1-5/8"	Corn	Two*	Adjustable**
	Hart Carter 1-5/8"			
	Petersen Sieve 1-1/8"			
Lower Sieve	New Holland Agriculture 1-1/8"	Cereals, Corn	Fixed	Adjustable**
	Closz Sieve 1-5/8"	Corn	Fixed	Fixed
	Round Hole Sieve 16 mm (0.63 in)	Corn	Fixed	Fixed
	Round Hole Sieve 18 mm (0.71 in)	Corn	Fixed	Fixed

* Sieve with canvas installed in the upper position.

** Mechanical or electrical (remote control) sieve adjustable.

CR Series Combines Sieves

Part No.	Description	Application
742134	Sieve, Round Hole Frame – 52"	CR9000 series, MY2011 and Later
742135	Sieve, Round Hole Frame – 62"	CR9000 series, MY2011 and Later
84084506	Sieve, Chaffer Round Hole 2.5 mm – 52"	CR9000 series, MY2011 and Later
84084507	Sieve, Chaffer Round Hole 2.5 mm – 62"	CR9000 series, MY2011 and Later
9560145	Sieve, Chaffer Round Hole 16 mm – 52"	CR9000 series, MY2011 and Later
9560146	Sieve, Chaffer Round Hole 16 mm – 62"	CR9000 series, MY2011 and Later
9560147	Sieve, Chaffer Round Hole 16 mm – 62"	CR9000 series, MY2011 and Later
9560148	Sieve, Chaffer Round Hole 18 mm – 62"	CR9000 series, MY2011 and Later
51411966	Adj. Chaffer 1 1/8"	CR9000 series, MY2011 and Later; CR6000, CR7000, CR8000 series, MY2013
84084326	Adj. Sieve 1 1/8"	CR6000, CR7000, CR8000 series, MY2013
84467097	Adj. Sieve 1-1/8" Closz	CR6000, CR7000, CR8000 series, MY2013
84084327	Adj. Sieve 1-5/8" Closz	CR6000, CR7000, CR8000 series, MY2013
319627	Graepel Sieve Extension	CR6000, CR7000, CR8000 series, MY2013
459580	Graepel Sieve Extension	CR8090, CR9090; CR6000, CR7000, CR8000 series, MY2013
84050227	Adj. Chaffer High Capacity 1-5/8"	All CR9000 series, MY2013
84428568	Remote Sieve Adj.	All CR9000 series, MY2013
84111532	Curved Louver Corn Chaffer	All CR9000 series, MY2013

GRAIN HANDLING KITS

Stainless Grain Tank Cross Auger Trough Liner Kits

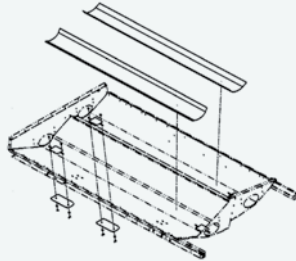


Part No. 87662984

Application: CR6090, CR7090, CR8090, CR9090, CR9065, CR9040, CR9060, CR9070, CR9080, CR8080 combines

Includes: Stainless-steel extended-wear trough liners

- Kit is designed to extend the life of the grain tank
- Grain tank bottom is shown for position only
- Order a quantity of two



Poly Grain Tank Cross Auger Trough Liner Kits



Part No. 73343212

Application: CR920, CR940, CR960, CR970, CR980, CR9040, CR9070 combines

Includes: Poly extended-wear trough liners

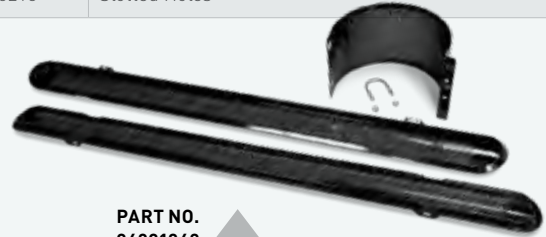
- Kit is designed to extend the life of the grain tank
- Grain tank bottom is shown for position only
- Order a quantity of two

Perforated Cross Auger & Elevator Cover Kit



Application: All CR Combines

Part No.	Description
84081342	Round Holes
84060218	Slotted Holes



PART NO. 84081342

Unloading Auger Extension Kits



Part No. 87354622

Application: CR9040–CR9080 combines

- Three-foot extension
- Standard wear



Unloading Tube Extension Kits



Part No.	Application
84358670	CR8070 - CR9090
84355180	CR7090 - CR9090

DEALER INSTALLED ACCESSORIES

Grain Storage DIA Kits



Part No.	Description	Application
84158659	Kit – Vertical Discharge Unload	CR9000 series combines, MY2011 and later
47437136	Tarp Grain Tank Ext. (315 BU, 11100L)	CR9000 series combines, MY2011 and later; CR6090, CR7090, CR8080
87331435	Perforated Covers Long	CR9000 series combines, MY2011 and later; CR6000, CR7000 and CR8000 series combines, MY2013
87331436	Perforated Covers Round	CR9000 series combines, MY2011 and later; CR6000, CR7000 and CR8000 series combines, MY2013
84529552	Grain Tank Trough Liner Kit, High Capacity	CR9000 series combines, MY2011 and later

GRAIN HANDLING KITS

Lower Unloading Gear Box Repair Kits DEPOT

Application: CR6090, CR7090, CR8080 and CR9090 combines

Part No.	Description
47781013	Lower Unloading Gearbox Repair Kit, Casing 86623223
47781016	Lower Unloading Gearbox Repair Kit, Casing 84414488

Tailings Elevator Bottom Auger Bearing Kit DEPOT

Includes: Bearing and flanges

Part No.	Application
87297800	CR970, CR9070 combines
87297801	CR940, CR960, CR9040, CR9060 combines



PART NO.
87297800



PART NO.
87297801

Bubble-Up Auger Top DEPOT

Part No. 87297811

Application: All CR combines

Includes: Bearing, flanges and hardware



Unloading Auger Bearing Kit DEPOT

Part No. 87297808

Application: All CR combines

Includes: Bearing, flanges and hardware



Tailings Elevator Upper Bearing Kit DEPOT

Part No. 87297799

Application: All CR combines

Includes: Bearings, flanges and hardware



Tailings Elevator Drive Bearing Kit – RH or LH DEPOT

Part No. 87297874 (RH or LH)

Application: All CR combines

Includes: Bearings and hardware



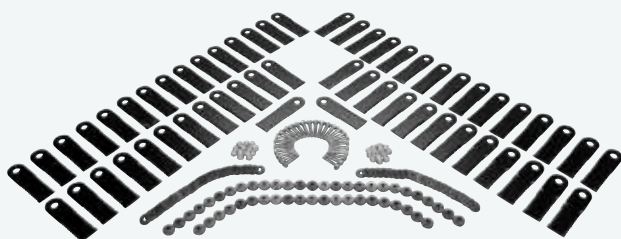
CROP RESIDUE MANAGEMENT KITS

Complete Rotating Chopper Knife Kits DEPOT

Includes: Complete set of knives and mounting hardware to service one chopper knife

- Knives are manufactured from high-strength steel and heat treated for superior wear life
- Knives have a beveled-serrated cutting edge for maximum performance

Part No.	Application
87298862	CR940, CR960
87298863	CR970 (68 knives, hardware, etc.)
87318316	CR9000



Fixed Knife Kit DEPOT

Part No. 87298858

Application: All CR combines

Includes: Four knives

Rotating Chopper Knife Kit (deluxe 4-pack) DEPOT

Part No. 87298861

Application: CR940, CR960, CR970 combines

Includes: Four knives and mounting hardware

- Knives are balanced for smooth operation
- Knives are manufactured from high-strength steel and heat treated for superior wear life
- Knives have a beveled-serrated cutting edge for maximum performance



← **PART NO. 87298861**

Straw Chopper Roller Anti-Wind Kit DEPOT

Part No. 47889137

Application: CR series - Tier 4

Includes: Plates and hardware to prevent residue from wrapping around the roller



CROP RESIDUE MANAGEMENT KITS

DEALER INSTALLED ACCESSORIES

Miscellaneous DIA Kits

Application: MY2013

Part No.	Description
47523835	Chaff Spreader, CR8090, CR9090, CR8.90, CR9.90, CR10.90
84330239	Chaff Spreader, CR6090, CR7090, CR8080
84330250	Chaff Spreader, CR8090, CR9090
84331698	Corn Cob Deflector Kit, CR8090, CR9090
84110799	PRA 2-speed Rebuild Kit, CR6090, CR7090, CR8080, CR8090, CR9090, CX8080, CX8090
84358675	Unload Auger Extension 1.3 m (4.4') ABR, CR6090, CR7090, CR8080, CR8090, CR9090
84358676	Unload Auger Extension 1.3 m (4.4'), CR6090, CR7090, CR8080, CR8090, CR9090
84476273	Unload Auger Down To Spout Rebuild, CR6090, CR7090, CR8080, CR8090, CR9090
84409530	Unload Auger Spout To Down Rebuild, CR6090, CR7090, CR8080, CR8090, CR9090, CX8080, CX8090
84470356	Unload Cross Auger Low RPM Kit, CR6090, CR7090, CR8080, CR8090, CR9090
47617285	Kit, Conversion, Closed Feeder Drum, CR920 - CR980, CR9040, CR9060, CR9070

Part No.	Description
47482340	Unloading Tube Extension Kit - Hi Capacity, CR8090, CR9090, CR8.90, CR9.90, CR10.90
84492611	Rebuild Kit RAD, CR8090, CR9090
84060286	Kit, Wheel Spacers (100), CR6090, CR7090, CR8080, CR8090, CR9090
47743491	Rebuild Kit PRA From Adj Res
84359668	Unload Auger Extension 1.3 m (4.4') ABR
84394469	Spout Unload, CR9090, CX8080, CX8090
84095964	Axle Ext (265) NA (plan FD), CR9090, CX8080, CX8090
87283504	Fixation Kit Dual Wheels R42, CR9090, CX8080, CX8090
87499724	Chaff Spreader, Protection Plate, CX8080, CX8090
87397234	Rebuild Kit RAD CX8080, CX8090
84060286	Wheel Spacers, CX8080, CX8090
84095959	Axle Ext. 316 NA (plan FD)

PART NO.
84358675



PART NO.
84409530



Counterweight DIA Kit

Part No. 84050431

Application: CR9000 series combines, MY2011 and later

Counterweight 200 KG A.

Check with your dealer or the online parts catalog for full details on the available kits.



Counterweight DIA Kits

Application: CR6090, CR7090, CR8090 & CR9080 combines, 2015

Check with your dealer or the online parts catalog for full details on the below available kits.

Part No.	Description
84050431	Counterweight Wheels 200 kg
84050430	Counterweight Wheels 400 kg
84050432	Counterweight Wheels 600 kg

CROP RESIDUE MANAGEMENT KITS / TRACTION/PLATFORM KITS

DEALER INSTALLED ACCESSORIES

Conveyor Accessories DIA Kits DEPOT

Application: MY2013

Part No.	Description
86603486	Perforated Conveyor Door, CR6090, CR7090, CR8080
84073833	Perforated Conveyor Door, CR8090, CR9090
84352638	Smooth Stone Dect. Plate, CR6090, CR7090, CR8080
84352643	Smooth Stone Dect. Plate, CR8090, CR9090
87329421	Feeder Front Drum Stop Kit, CR6090, CR7090, CR8080, CR8090, CR9090
84495517	Header Cylinders 80 mm, CR8090, CR9090
84247201	Header Cylinders 75 mm, CR6090, CR7090, CR8080, CR8090, CR9090
84225343	Header Cylinders 80 mm, CR8090, CR9090
84499363	Rebuild Kit Corn Drive, CR6090, CR7090, CR8080, CR8090, CR9090
84493494	Low RPM Kit, CR6090, CR7090, CR8080, CR8090, CR9090

Axle Extension Kit DEPOT

Part No.	Description	Application
84095959	12" for Planetary	CR970
84095964	10" for Planetary	CR970



PART NO.
84095959

MUD HOG® REAR-WHEEL ASSIST AXLES DEPOT

The Mud Hog rear-wheel drive system delivers uncompromising four-wheel drive capability to your New Holland combine. You'll power through muddy, wet fields and increase your combine's productivity – in wet or dry conditions.



Features & Benefits

- Increase fuel efficiency
- Reduce soil compaction
- Minimize field tracks and ruts
- Extend engine life by helping it run cooler
- Reduce strain on the hydraulic system
- Improve handling and steering control
- Provide access to additional torque for steep grades
- Decrease wear on the front tires


Part No.	Description	Application
CNH14006TDS	2,099cc, 2-Speed, 10 Stud	MY2011 and Previous: CR920/940/960/970/980/9040/9060/9070/9080 <i>Existing Non-Powered Wheels & Tires Will Fit</i>
CNH14032ATDS	2,099cc, 2-Speed, 10 Stud	MY2012 and 2013: CR6080/6090/7090/8080/8090/9090 MY2014 and Newer: CR6080/6090/7090/8080/8090/9090 CR6.80/6.90/7.90/8.90/9.90 <i>Existing Non-Powered Wheels & Tires Will Fit</i>

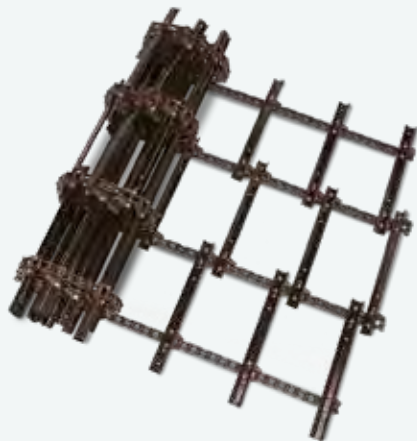



COMBINE KITS - CX

FEEDER CHAIN


Part No.	Description	Application
87495865	Chain - 4 Strand	2012 CX8070, CX8080, CX8090; 2013 CX8080, CX8090; 2014 CX8080 & CX8090 E
87495906	Chain - 4 Strand	2014 CX8080 & CX8090 E
87620557	Elevator Chain - Slat - Standard	2012 CX8070, CX8080, CX8090
47409318	Header Lift Cylinder Kit - 75 mm	2014 CX8080 & CX8090 E; 2015 CX8080, CX8090
87637838	Header Lift Cylinder Kit - 75 mm	2012 CX8070, CX8080, CX8090; 2013 CX8000 Series

PART NO.
87495865 




PART NO.
47409318 



PART NO.
87637838 



PART NO.
87620557 



FEEDER ACCESSORIES DIA KITS DEPOT

Part No.	Description	Application
84003093	Perforated Straw Elevator Cover, Bottom	2012 CX8070, CX8080, CX8090; 2013 CX8080, CX8090
47441695	Perforated Straw Elevator Cover, Bottom	2014 CX8080 & CX8090 E, CX8080, CX8090
84232752	Corn Drive Rebuild Kit, 4HB/4HB	2012 CX8070, CX8080, CX8090; 2013 CX8080, CX8090
84588029	Rebuild Kit 4HB/4HB	2015 CX8000
47668478	Feed Rate Control	2015 CX8000

PART NO.
84003093



PART NO.
84232752



ACCESSORIES DIA KITS DEPOT

Part No.	Description	Application
84332851	Block Heater - 120V	2012 CX8070, CX8080; 2013 CX8080; 2014 CX8080 E; 2015 CX8080
84332852	Block Heater - 120V	CX8090 & CX9090
84081531	Trailer Hitch	2012 CX8070, CX8080, CX809; 2013 CX8080, CX8090
87488259	Grid Heater	2015 CX8080
84267297	Grid Heater	2015 CX8090
47449618	Air Compressor Kit	2015 CX8080
47449615	Air Compressor Kit	2015 CX8090
84112166	Hose & Air Gun	2015 CX8080 & CX8090

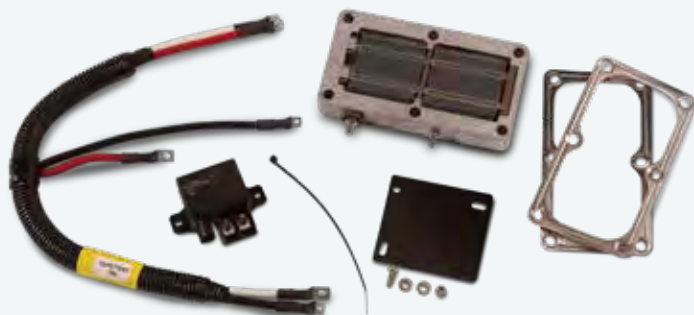
PART NO.
84332851



PART NO.
84332852



PART NO.
87488259



CONCAVES & THRESHING DIA KITS

DEPOT

Concave Settings

Concave Type	Use	Concave Clearance Read Out	Real Concave Clearance
Small Grain	Cereals	10 mm (0.39 in)	10 mm (0.39 in) to 1st Bar 10 mm (0.39 in) to 12th Bar
Heavy-Duty Moderate	Cereals	10 mm (0.39 in)	10 mm (0.39 in) to 1st Bar 10 mm (0.39 in) to 12th Bar
Corn	Corn	25 mm (0.98 in)	25 mm (0.98 in) to 1st Bar 25 mm (0.98 in) to 9th Bar
Heavy-Duty Universal	Cereals, Corn	10 mm (0.39 in)	10 mm (0.39 in) to 1st Bar 10 mm (0.39 in) to 12th Bar
Rice	Rice	17 mm (0.67 in)	17 mm (0.67 in) to 1st Bar 22 mm (0.87 in) to Last Bar
Grass Seed	Grass Seed	17 mm (0.67 in)	17 mm (0.67 in) to 1st Bar 22 mm (0.87 in) to Last Bar

De-Awning Slats

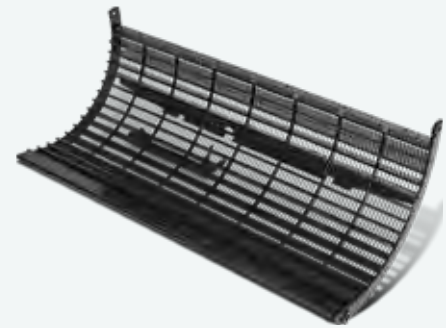
De-awning plates increase the rubbing action of the drum and concave when threshing winter barley or difficult to thresh crops.



PART NO.
84095829

Part No.	Description	Application
84095827	Sunflower Cover Plate	2012 CX8070, CX8080, CX8090; 2013 CX8080, CX8090; 2014 CX8080 & CX8090 E; 2015 CX8080, CX8090
84095825	Concave Installation & Removal Kit	2012 CX8070, CX8080, CX8090; 2013 CX8080, CX8090; 2014 CX8080 & CX8090 E; 2015 CX8080, CX8090
47800167	Concave – Standard Drum	2012 CX8070, CX8080, CX8090; 2013 CX8080, CX8090; 2014 CX8080 & CX8090 E
47799886	Concave – Universal Drum, Small Grain	2012 CX8070, CX8080, CX8090; 2013 CX8080, CX8090; 2014 CX8080 & CX8090 E
84073335	Concave – Standard Drum	2012 CX8070, CX8080, CX8090; 2013 CX8080, CX8090
84050437	Corn Threshing Rebuild Kit – Concave Corn/Bean	2012 CX8070, CX8080, CX8090; 2013 CX8000 series; 2014 CX8080 & CX8090 E; 2015 CX8080, CX8090
87518192	Drum Cover Plates Dry Conditions	2012 CX8070, CX8080, CX8090; 2013 CX8000 series; 2014 CX8080 & CX8090 E; 2015 CX8080, CX8090
84095829	De-awning Slats, Moderate Concave	2012 CX8070, CX8080, CX8090; 2013 CX8080, CX8090
84095830	Deawning Slats, Univ	2015 CX8080 & CX8090
47404142	Deawning Slats	2015 CX8080 & CX8090
84050230	Corn Thresh. Equipment	2015 CX8080 & CX8090

PART NO.
47799886



PART NO.
47800167



PART NO.
84095825



SEPARATION DIA KITS DEPOT

Beater Plates

The beater, with beater concave, strips the straw from the drum and guides it to rotary separator and concave, which further separates the grain from the straw.

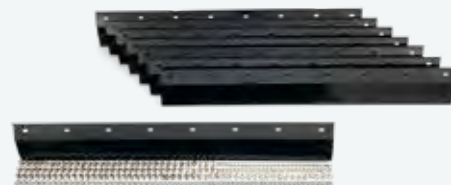
The function of the Straw Flow™ beater is to improve the combine throughput capacity in heavy straw conditions.

Part No.	Description	Application
84444474	Beater Wear Plate	2012 CX8070, CX8080, CX8090; 2013 CX8080, CX8090; 2014 CX8080 & CX8090 E
84110384	Beater Wear Plates – 8 Plates (84444474), plus hardware	2012 CX8070, CX8080, CX8090; 2013 CX8080, CX8090; 2014 CX8080 & CX8090 E; 2015 CX8080, CX8090
47668115	Beater Teeth Kit	2012 CX8070, CX8080, CX8090; 2013 CX8080, CX8090; 2014 CX8080 & CX8090 E
84590278	Beater Wear Plates – 4 Plates	2014 CX8080 & CX8090 E; 2015 CX8080, CX8090
87375003	Straw Walker	2012 CX8070, CX8080, CX8090; 2013 CX8080, CX8090
316385	Straw Walker Cover Plates – Vertical	2012 CX8070, CX8080, CX8090; 2013 CX8080, CX8090; 2014 CX8080 & CX8090 E; 2015 CX8080, CX8090
84110390	Straw Walker Cam Extension – Heavy Straw	2012 CX8070, CX8080, CX8090; 2013 CX8080, CX8090; 2014 CX8080 & CX8090 E; 2015 CX8080, CX8090
47668115	Beater Pins	2015 CX8080 & CX8090
47436731	Beater Pins/Plates	2015 CX8080 & CX8090
47380298	Add. Strawwalker Fishbacks Rice	2015 CX8080 & CX8090

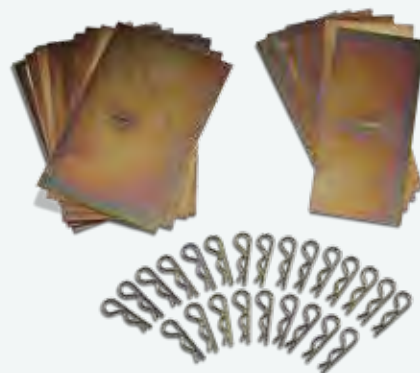
PART NO.
84444474



PART NO.
84110384



PART NO.
316385



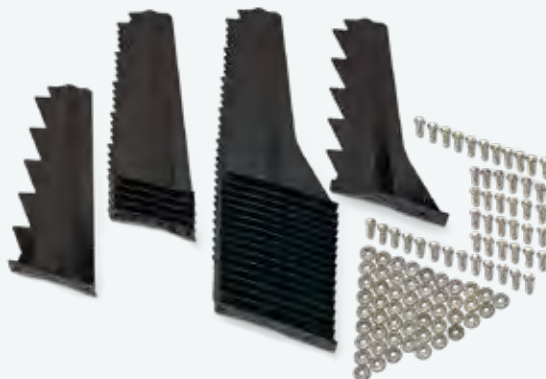
PART NO.
87375003



PART NO.
47668115



PART NO.
84110390



CLEANING DIA KITS DEPOT

Sieve Kits

Includes: Sieve and all associated hardware.

Sieve Types				
Sieves	Type	Crops	Positions	Opening
Pre Sieve	Hart Carter 1-5/8"	Corn	Fixed	Adjustable
	Closz Sieve 1-5/8"			
	Hart Carter 1-5/8"	Cereals, Corn		
Upper Sieve	Hart Carter 1-5/8"	Cereals	Two	Adjustable**
	Closz Sieve 1-5/8"			
	Curved Louver Sieve 1-5/8"	Corn	Two*	Adjustable**
	Hart Carter 1-5/8"			
	Petersen Sieve 1-1/8"			
Lower Sieve	New Holland Agriculture 1-1/8"	Cereals, Corn	Fixed	Adjustable**
	Closz Sieve 1-5/8"	Corn	Fixed	Fixed
	Round Hole Sieve 16 mm (0.63 in)	Corn	Fixed	Fixed
	Round Hole Sieve 18 mm (0.71 in)	Corn	Fixed	Fixed

PART NO.
84432132



PART NO.
87109842



* Sieve with canvas installed in the upper position.
** Mechanical or electrical (remote control) sieve adjustable.

PART NO.
87109850



PART NO.
84100965



PART NO.
84320021



PART NO.
51411966



PART NO.
84084324



PART NO.
84084664



PART NO.
84076561



PART NO.
87616336



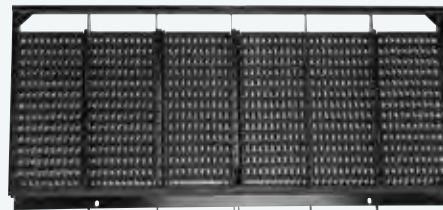
PART NO.
84050397



CLEANING DIA KITS

Part No.	Description	Application
84432132	Sieve Corn Slat, 1-5/8", Painted	2012 CX8070, CX8080, CX8090; 2013 CX8080, CX8090; 2014 CX8080 & CX8090 E
87109842	Sieve 1-1/8" Peterson Slat, Small Grain, 2 Handles, Part is Not Remote Ready	2012 CX8070, CX8080, CX8090; 2013 CX8080, CX8090; 2014 CX8080 & CX8090 E
87109850	Sieve 1-5/8", Corn, Galvanized, Part is Not Remote Ready	2012 CX8070, CX8080, CX8090; 2013 CX8080, CX8090; 2014 CX8080 & CX8090 E
84100965	Upper Sieves - 1-1/8", Small Grain	2012 CX8070, CX8080, CX8090; 2013 CX8080, CX8090; 2014 CX8080 & CX8090 E
84320021	Lower Sieves - 1-1/8", Small Grain	2012 CX8070, CX8080, CX8090; 2013 CX8080, CX8090; 2014 CX8090 E
51411966	Upper Sieve 1-1/8" - Wide With Adjusting Plates & Hardware, Small Grain	2012 CX8070, CX8080, CX8090; 2014 CX8080 & CX8090 E; 2015 CX8080, CX8090
84084324	Sieve, Adjustable Chaffer 1-5/8", Corn	2012 CX8070, CX8080, CX8090; 2013 CX8080, CX8090
84084664	Upper Sieve 1-5/8" With Adjusting Plates & Hardware, Corn	2013 CX8080; 2014 CX8080 & CX8090 E; 2015 CX8080, CX8090
84084981	Upper Sieve 1-5/8" With Adjusting Plates & Hardware, Corn	2012 CX8070, CX8080, CX8090; 2013 CX8080, CX8090; 2015 CX8080 & CX8090
84076561	Front Sieve, 1-1/8", Painted, Small Grain	2012 CX8070, CX8080, CX8090; 2013 CX8080, CX8090; 2014 CX8090 E
87616336	Fan, Bottom Shield, Self-Levelling Shoe	2014 CX8080 & CX8090 E; 2015 CX8080, CX8090
84050397	Fan, Bottom Shield, Self-Levelling Shoe	2012 CX8070, CX8080, CX8090; 2013 CX8080, CX8090
87646627	Remote Sieve Adjustment	2012 CX8070, CX8080, CX8090; 2013 CX8080, CX8090
84989436	Grain Pan Rake	2012 CX8070, CX8080, CX8090; 2013 CX8080, CX8090; 2014 CX8080 & CX8090 E
84800493	Straw Walker Liner	2012 CX8070, CX8080, CX8090; 2013 CX8080, CX8090; 2014 CX8080 & CX8090 E
84073440	Grain Pan	2012 CX8070, CX8080, CX8090; 2013 CX8080, CX8090
459580	Graepel Sieve Extension	2013 CX8080; 2015 CX8080, CX8090
84067682	Smooth Rethres. Cover	2013 CX8080

PART NO.
84432132 ▼



PART NO.
84989436 ▼



PART NO.
84073440 ▼



PART NO.
84080493 ▼



PART NO.
87646627 ▼



CLEANING DIA KITS

DEPOT

Part No.	Description	Application
84111532	Corn Chaffer Curved Louver, Wet or Green Conditions (not shown)	2012 CX8070, CX8080, CX8090; 2013 CX8000 series; 2014 CX8080 & CX8090 E; 2015 CX8080, CX8090
87625761	Corn Cleaning Shoe Conversion Kit (field installed)	2012 CX8070, CX8080, CX8090; 2013 CX8000 series; 2014 CX8080 & CX8090 E; 2015 CX8080, CX8090
84050436	Pre-Sieve Hart Carter 1-5/8", Corn (field installed)	2012 CX8070, CX8080, CX8090; 2013 CX8000 series; 2014 CX8080 & CX8090 E; 2015 CX8080, CX8090
84462833	Pre-Sieve Closz 1-5/8", Corn (field installed)	2012 CX8070, CX8080, CX8090; 2013 CX8000 series; 2014 CX8080 & CX8090 E; 2015 CX8080, CX8090
84084328	Sieve, 1-5/8" Closz Slat Adjustable Lower - 62"	2012 CX8070, CX8080, CX8090; 2013 CX8000 series; 2015 CX8080, CX8090



PART NO.
84050436

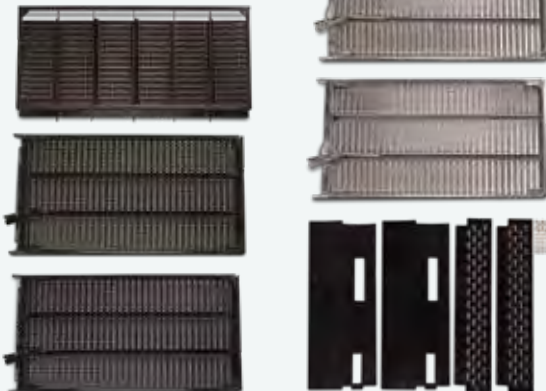


PART NO.
84462833



PART NO.
84084328

PART NO.
87625761



Opti-Spread™ Kits

DEPOT

Application: CX 8.80, CX 8.90

Part No.	Description
87723591	LH Extension for Opti-Spread Only
87723599	RH Extension for Opti-Spread Only
48043194	LH Rotor for Disc Assembly, Opti-Spread
48043201	RH Rotor for Disc Assembly, Opti-Spread

GRAIN HANDLING DIA KITS

Grain Handling DIA Kits

Includes: All necessary components and hardware

Part No.	Description	Application
84359668	Unload Auger Extension (4.4 ft)	2014 CX8080 & CX8090 E
86521287	Unloading Tube Extension Kit (3 ft)	2012 CX8070, CX8080, CX8090; 2013 CX8080, CX8090
84358675	Unload Sys Ext 1,3m (4,4 ft)	2015 CX8080, CX8090
84359668	Unload Sys Ext 1,3m (4,4 ft) ABR	2015 CX8080, CX8090
87331435	Perforated Covers Long	2013 CX8080; 2015 CX8080, CX8090
87331436	Perforated Covers for Conveyors - Round	2012 CX8070, CX8080, CX8090; 2013 CX8080, CX8090; 2015 CX8080, CX8090
84394469	Spout Unload	2015 CX8080, CX8090

PART NO. 84359668



PART NO. 86521287



PART NO. 87331436

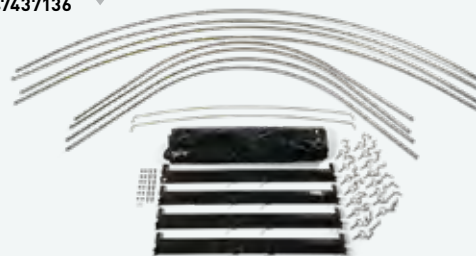


Grain Handling DIA Kits

Includes: All necessary components and hardware

Part No.	Description	Application
47437136	Canvas Assembly Grain Tank Extension (315 bushel)	2012 CX8070, CX8080, CX8090
84067682	Smooth Rotor Rethreshing Plates (2)	2012 CX8070, CX8080, CX8090; 2013 CX8080, CX8090
84409530	Unloading Spout Chute	2013 CX8080, CX8090; 2014 CX8080 & CX8090 E; 2015 CX8080, CX8090

PART NO. 47437136



PART NO. 84067682



PART NO. 84409530



Unloading Tube Extension Kits

Part No.	Application
84358670	CX8060-CX8070
84355180	CX8060-CX8090

GRAIN HANDLING DIA KITS

DEALER INSTALLED ACCESSORIES

Counterweight DIA Kits

Check with your dealer or the online parts catalog for full details on the below available kits.

Part No.	Description	Application
84050431	Counterweight Wheels 200 KG A	2013 CX8080; 2015 CX8080, CX8090
84050430	Counterweight Wheels 400 KG A	2013 CX8080; 2015 CX8080, CX8090
84050432	Counterweight Wheels 600 KG A	2013 CX8080; 2015 CX8080, CX8090
84050433	Support Counterweight Frame	CX8070, CX8080, CX8090, CX8080E, CX8090E 2015
84050434	Set of 6 Counterweights	2013 CX8080; 2015 CX8080, CX8090
84081383	Set of 10 Counterweights	2013 CX8080; 2015 CX8080, CX8090
84081382	Set of 12 Counterweights	2013 CX8080; 2015 CX8080, CX8090

PART NO.
84050430



RESIDUE MANAGEMENT DIA

Part No.	Description	Application
47404150	Chaff Spreader	CX8070 E, CX8080 E, CX8090 E
48117488	Chaff Spreader	CX8.80, CX8.90 Tier 4
87499724	Chaff Spreader, Protection Plate for Corn	2012 CX8070, CX8080, CX8090; 2013 CX8080, CX8090
87318524	Chopper, Rotor Frame – Knife (rotors with 68 & 88 knives)	2012 CX8070, CX8080, CX8090; 2013 CX8080, CX8090; 2014 CX8080 & CX8090 E
87591220	Chopper, Rotor Frame – Finger Bar (rotors with 68 & 88 knives)	2012 CX8070, CX8080, CX8090; 2013 CX8080, CX8090; 2014 CX8080 & CX8090 E
84110799	PRA 2-speed Rebuild Kit Fl	2015 CX8080, CX8090
87397234	Rebuild Kit RAD	2015 CX8090
87283504	Fixation Kit Dual Wheels R42	2015 CX8000
84030876	Rice Kit LF Straw Elevation	CX8080, CX8090; 2015 CX8000
84003093	Perf. Conv. Bottom	CX8080, CX8090
87653455	Straw Chopper Knife Set	CR9090, 9080, 9070, CX8070, 8080, 8090

PART NO.
87653455



PART NO.
87318524



PART NO.
87591220



PART NO.
87499724



MUD HOG® REAR-WHEEL ASSIST AXLES DEPOT

The Mud Hog rear-wheel drive system delivers uncompromising four-wheel drive capability to your New Holland combine. You'll power through muddy, wet fields and increase your combine's productivity – in wet or dry conditions.



Features & Benefits

- Increase fuel efficiency
- Reduce soil compaction
- Minimize field tracks and ruts
- Extend engine life by helping it run cooler
- Reduce strain on the hydraulic system
- Improve handling and steering control
- Provide access to additional torque for steep grades
- Decrease wear on the front tires

Part No.	Description	Application
CNH14006TDS	2,099cc, 2-Speed, 10 Stud	MY2011 and Previous: CX720/740/760/780/820/840/860/880/8030/8040/8050/8060/8070/8080/8090 <i>Existing Non-Powered Wheels & Tires Will Fit</i>
CNH14032ATDS	2,099cc, 2-Speed, 10 Stud	MY2012 and 2013: CX8070/8080/8090 MY2014 and Newer: CX8070/8080/8090 <i>Existing Non-Powered Wheels & Tires Will Fit</i>





COMBINE KITS - TR

FEEDER KITS

Attaching Link Kit Feeder Chain

Part No. B96548

Application: TR89–TR99 combines

Includes: Two attaching links, two connecting links and two offset links



In-Feed Drum Sensor Kit

Part No. B96543

Application: TR86–TR99 combines

Includes: Sensor and mounting hardware



FEEDER/ROTOR KITS



Feeder Upper Shaft Bearing & Sprocket Kit

Part No. B96517

Application: TR70-TR99 combines

Includes: Bearings/collars, end sprockets, center sprockets, shields and mounting hardware



PART NO. B96517

Rotor Divider Kits

Part No. B96519

Application: TR86, TR96, TR97, TR98, TR99 combines

Includes: LH corner, RH corner and center corner dividers and mounting hardware



PART NO. B96519

Rotor Ramp Kits

Part No. B96515

Application: TR86, TR96, TR97, TR98, TR99 combines

Includes: Rotor ramp, seal, bar and mounting hardware



PART NO. B96515

Rotor Assemblies

Application: TR86, TR87, TR88, TR96, TR97, TR98, TR99 combines

- Complete assemblies
- Ready to install
- Factory-assembled and factory-balanced for smooth operation

Part No.	Application
9824725	Left Hand
9824726	Right Hand



THRESHING ROTOR KITS

Plate & Lug Kit – One Rotor

Part No. B96203 – LH Rotor

Part No. B96204 – RH Rotor

Application: TR89, TR98, TR99 combines

Includes: Plates, lugs, and mounting hardware to service one rotor



Plate & Lug Kit – Both Rotors

Part No. B96205

Application: TR89, TR98, TR99 combines

Includes: Plates, lugs, and mounting hardware to service both rotors



Plate Kits – Rotor

Part No. B96676 – LH Rotor

Part No. B96657 – RH Rotor

Application: TR89, TR98, TR99 combines

Includes: Plates and hardware to service one rotor



Rasp Bar Kit – Both Rotors

Part No. B96206 – Both LH/RH

Application: TR89, TR98, TR99 combines

Includes: Both leading and trailing rasp bars (to service both LH and RH rotors) and 10.9 metric hardware



Rasp Bar Kit – One Rotor

Part No. 82797034 – LH Rotor

Part No. 82797035 – RH Rotor

Application: TR89, TR98, TR99 combines

Includes: Both leading and trailing rasp bars (to service one rotor) and 10.9 metric hardware



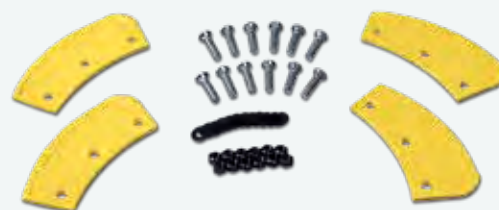
Lug Kits – Rotor

Part No. B96658 – LH Rotor

Part No. B96656 – RH Rotor

Application: TR89, TR98, TR99 combines

Includes: Lugs and hardware to service one rotor



Rasp Bar Shim Pack

Part No. B96193

Application: TR89, TR98, TR99

Includes: Set of 50 shims



THRESHING ROTOR KITS

DEPOT

Rasp Bar Kit – Leading

Part No. 82797030 – LH Rotor

Part No. 82797031 – RH Rotor

Includes: Leading rasp bars and hardware (10.9 metric bolts) to service one rotor

Rasp bars are heavy-duty nodular iron, heat treated, and hard-faced for superior wear life.



Rasp Bar Kit – Trailing

Part No. 82797032 – LH Rotor

Part No. 82797033 – RH Rotor

Application: TR89, TR98, TR99 combines

Includes: Trailing rasp bars and hardware (10.9 metric bolts) to service one rotor

Rasp bars are heavy-duty nodular iron and heat treated for longer service life.



Rotor Drive Chain Coupler

Part No. B96525

Includes: Chain Coupler and two 20-tooth sprockets



Rotor Drive Chains

Part No. B96522

Application: TR86–TR99 combines

Includes: One chain assembly, connector links and chain couplers



Rotor Long Finger Kit (4-pack)

Part No. B96534

Application: TR88, TR89, TR97, TR98, TR99 combines



Front Rotor Bearing Kit

Part No. B96553

Application: TR89, TR98, TR99 combines

Includes: Bearing in heavy-duty housing, collar and mounting hardware



Rotor Short Finger Kit

Part No. B96655 – 4 Pack

Part No. 712452001 – 24 Pack

Application: TR86, TR87, TR88, TR89, TR96, TR97, TR98, TR99 combines

CLEANING KITS/GRAIN HANDLING KITS

DEPOT

New Holland Concaves

- New Holland concaves are U.S. manufactured using the latest robotic technologies
- Tolerances are laser-measured to assure perfect fit and optimum performance

Part No.	Application
686668	RH Small Wire
686669	LH Small Wire
849717	LH Corn/Universal
849718	RH Corn/Universal
688741	Round Bar

Be sure to view our video on www.nhsmartsolutions.com to learn more about the advantage of genuine New Holland concaves.

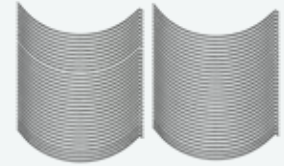


Concave Wire Kit

Part No. B96684

Application: TR70–TR99 combines

- Small wire concave
- Complete set of 65 wires

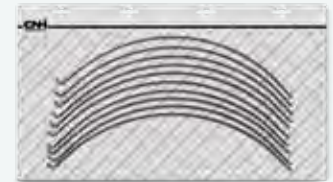


Concave Wire Kit

Part No. B96685

Application: TR70–TR99 combines

Includes: Set of 10 wires



Grain Tank Auger Poly Liner

DFS

Part No. 73343201

Application: TR Single Auger Models



Tailings Return Auger Bearing Kit

DEPOT

Part No. B96544

Application: TR70–TR99 combines

Includes: Bearing, flanges, collar and hardware



Tailings Return Auger Lower Bearing Kits

DEPOT

Part No. B96530

Application: TR89, TR99 combines, LH

Includes: Bearings, flanges, collar and mounting hardware



Tailings Return Auger – Top Bearing Kit

DEPOT

Part No. B96652

Application: TR70–TR99 combines

Includes: Bearing, flanges, collar and mounting hardware to service one side



CROP RESIDUE MANAGEMENT KITS

DEPOT

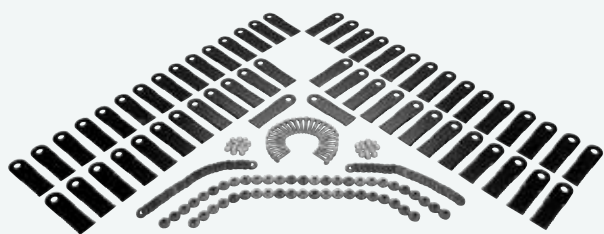
Complete Rotating Chopper Knife Kit

Part No. B96198

Application: TR89, TR97, TR98, TR99 combines

Includes: Complete set of 52 knives and mounting hardware to service one chopper knife

- Knives are manufactured from high-strength steel and heat treated for superior wear life
- Knives have a beveled-serrated cutting edge for maximum performance



Rotating Chopper Knife Kit (4-pack)

Part No. B96199

Application: TR89, TR97, TR98, TR99 combines

Includes: Four knives and mounting hardware

- Knives are balanced for smooth operation
- Knives are manufactured from high-strength steel and heat treated for superior wear life
- Knives have a beveled-serrated cutting edge for maximum performance



Fixed Chopper Knife Kit – Complete

Part No. B96196

Application: TR89, TR97, TR98, TR99 combines

Includes: 25 knife assemblies and mounting hardware (pieces to service an entire fixed chopper bar)



Fixed Chopper Knife Kit

Part No. B96195

Application: TR89, TR97, TR98, TR99 combines

Includes: Two knife assemblies with serrated section and mounting hardware



◀ **PART NO.**
B96196

THE REMAN STORY



The reasons for choosing remanufactured parts just keep adding up. Our parts are incredibly affordable, meet stringent New Holland performance specs, and help increase the resale value of your equipment. Ease of installation ensures maximum uptime, and you'll benefit from warranties that are the same, or better than, new parts. Make remanufactured parts from New Holland an essential part of your ongoing equipment maintenance program for your combine. Learn more about remanufacturing at www.mycnhreman.com.

Benefits of New Holland Remanufactured Parts

SIGNIFICANT SAVINGS

Remanufactured parts from New Holland cost less than new parts – offering a great value while ensuring peak performance.

MORE CHOICES

Every day, we work on adding more parts to our already extensive Reman roster to increase the options you have for your equipment's needs.

HIGHER VALUE

When you install our parts in your equipment, you can expect increased resale value.

OEM PERFORMANCE

Unlike "will-fit" parts, each remanufactured part from New Holland is engineered to deliver like-new performance that meets stringent New Holland performance specs.

CREDIT FOR YOUR CORE

Your core has value; please see your dealer for complete details on value and criteria.

QUALITY

Our remanufactured parts are produced and tested to our exacting specifications and performance criteria by highly trained technicians using advanced equipment in our state-of-the-art facilities. It is this commitment to excellence that yields quality remanufactured parts that are like-new or better-than-new.

LESS DOWNTIME WITH INSTALLATION OPTIONS

Because many remanufactured parts from New Holland are ready to install, our service technicians can spend less time completing repairs or shop installs. The result? Quicker turnaround and a whole new level of equipment uptime for you.



MYCNHREMAN.COM

Today, there are more reasons than ever to choose remanufactured parts for your business and for your customers. Go to mycnhreman.com – your resource for all the latest information.

NEW HOLLAND REMAN WARRANTY MATRIX



Choose New Holland remanufactured parts for your maintenance and repair program. From more product offerings to faster installations for increased uptime, you're sure to appreciate the unique benefits of choosing reman.

Below is a list of our remanufactured parts with warranty details, which includes our best-in-class engine warranty. Learn more about remanufacturing at www.mycnhreman.com.

	Dealer Installed Warranty*			Customer Installed Warranty		
		Parts	Labor		Parts	Labor
All Reman Products						
Cylinder Heads, Camshafts, Crankshafts, Oil Coolers, Connecting Rods	12 Months	Yes	Yes	12 Months	Yes	No
Engines, Long Block, Replacement	24 Months	Yes	Yes	24 Months	Yes	No
Engines, Short Block	24 Months	Yes	Yes	12 Months	Yes	No
Water Pumps	24 Months	Yes	Yes	12 Months	Yes	No
Fuel Injection Pumps, Injectors	24 Months	Yes	Yes	12 Months	Yes	No
Turbochargers	24 Months	Yes	Yes	12 Months	Yes	No
Reman Drivelines						
Axles, Clutches, Manual Transmission, Power Shifts, Power Shuttles	24 Months	Yes	Yes	12 Months	Yes	No
Torque Converters	24 Months	Yes	Yes	12 Months	Yes	No
Reman Gearboxes						
Rotor Drives	24 Months	Yes	Yes	12 Months	Yes	No
Torque Amplifiers	24 Months	Yes	Yes	24 Months	Yes	No
Wobble Boxes	24 Months	Yes	Yes	12 Months	Yes	No
Reman Electrical						
Alternators, Controllers, ECUs, Instrument Clusters, Generators, Starters	24 Months	Yes	Yes	12 Months	Yes	No
Reman Hydraulics						
Cylinders, Motors, Pumps, Valves	24 Months	Yes	Yes	12 Months	Yes	No
Reman Other Components						
A/C Compressors	24 Months	Yes	Yes	12 Months	Yes	No
ATS	24 Months	Yes	Yes	12 Months	Yes	No
Wheels	24 Months	Yes	Yes	12 Months	Yes	No
Reman Repair Programs						
Wiring Harnesses	12 Months	Yes	No	12 Months	Yes	No
Electronic Components	18 Months	Yes	No	18 Months	Yes	No

* When installed by an authorized New Holland dealer.

LOWER COST OF OWNERSHIP FOR YOUR CX8070 COMBINE WITH REMANUFACTURED PARTS

DEPOT

New Holland offers an extensive line of cost-efficient remanufactured parts for your combine. So when it comes time to replace a part, we've got you covered. Visit us for a full selection.



Driveline / Transmission		
Gearbox	84196950R	Traction w/ Diff Lock
	84196948R	Traction w/ Std Diff
	84196945R	Traction w/ Std Diff, Pltry End Reduce
	84196947R	Traction w/ Diff Lock, Pltry End Reduce

Electronics		
Displays	48128370R	IntellView IV
	84604338R	IntellView II Touch
	84604338R	IntellView II Plus/ III Touch
ECU	84178547R	Hyd. Main Stack Valve Module
	47894413R	A/C Control Module
	87014401R	CCM Control Mod. w/No Soft.
	87518983R	Nav II Control Mod.
	48036776R	Nav III Control Mod.
Electric Motor	84807563R	Electric Motor, Gear Shift Control

Hydraulics/ Hydrostatic Drive		
Hydraulic Cylinders	47585088R	Unloading Auger
	84370626R	Steering, Rear Axle
Hydraulic Motors	84224646R	Feeder Reserve
	86999889R	Wide Chaf Spreader
Hydraulic Pump	86523414R	Steering Pump
Hydraulic Drive	87019733	Hydro Pump, 110cc/140 bar
	87019736	Hydro Pump, 130cc/140 bar
	84819680R	Hydro Motor, 100cc
	84819681R	Hydro Motor, 130cc

Fuel		
Fuel Injector	504194432R	BSN D782 Tier 3
	504255185R	Both - D782 Tier 4
Injection Pump	5801382396R	Injection Pump Tier 3
	504188076R	Injection Pump Tier 4

Rotating Electrical		
Alternator	87601413	87601413
Starter	99432760R	Starter for Tier 3/4

Engine Components		
Crankshaft	504128849R	Tier 3/4
Cylinder head	47573592R	Tier 3
Turbo	504129817R	Tier 3
	504179011R	Tier 4

Crop Storage & Unloading		
Gearbox	84320052R	Unloading Auger
	87331084R	Grain Discharge, Upper

Engine		
Complete	504387300ER	Tier 3
	5801490159ER	Tier 4
	5801490155	Tier 4
Long Block	47376358R	Tier 3

Miscellaneous		
AC Compressor	86993463R	
Air Compressor Kit	48017124R	

LEARN MORE ABOUT REMANUFACTURING AT WWW.MYCNHREMAN.COM



FEATURED NEW HOLLAND REMANUFACTURED PARTS FOR HEADERS

Corn Header Components – 98D			
Row #	Spacing	Part Number	Description
6	30"	87663021R	Row Unit Gearbox
		84384868R	Row Unit Gearbox, Pinching
6	36"	87663021R	Row Unit Gearbox
		84384868R	Row Unit Gearbox, Pinching
8	22"	87663021R	Row Unit Gearbox
		84384868R	Row Unit Gearbox, Pinching
8	30"	87663021R	Row Unit Gearbox
		84384868R	Row Unit Gearbox, Pinching
8	36"	87663021R	Row Unit Gearbox
		84384868R	Row Unit Gearbox, Pinching
12	20"	87663021R	Row Unit Gearbox
		84384868R	Row Unit Gearbox, Pinching
12	22"	87663021R	Row Unit Gearbox
		84384868R	Row Unit Gearbox, Pinching
12	30"	87663021R	Row Unit Gearbox
		84384868R	Row Unit Gearbox, Pinching

Draper Header Components		
82C header	338670A1R	Sickle Drive Box
83C header	338670A1R	Sickle Drive Box
84C header	338670A1R	Sickle Drive Box
	87407598R	Combine Adapter Gearbox
86C header	338670A1R	Sickle Drive Box
94C Grain header, 92C Rice header	84136262R	Deck Adjustment Motor
840CD, 880CF header	47933752R	Center Knife Gearbox
88C30P & 88C36P headers	84176743R	Hydraulic Pump
88C42P, 21HB, 25HB, 18HD, 30HB, 36HB, 994D headers	84136262R	Draper header

Chopping Corn Header Components – 99C		
Row #	Part Number	Description
6	322423800R	Side Dividers Gearbox
8	322423800R	Side Dividers Gearbox
12	322423800R	Side Dividers Gearbox

Grain Head Components – 740CF		
20 ft. header	47557929R	Wobble Box
25 ft. header		
30 ft. header		
35 ft. header		



DRAPER HEADER



GRAIN HEADER



CORN HEADER



LEARN MORE ABOUT REMANUFACTURING AT WWW.MYCNHREMAN.COM



ACCESSORIES

LIGHTING KITS

LED Lights DFS

Part No.	Description
SP1706591	3 x 5 Oval Flood, 12-32V, 1,600 lumens (Model 735)
SP1300181	4" Square Flood, 12-24V, 1,600 lumens (Model 832)

PART NO.
SP1300181



PART NO.
SP1706591

Light Kit DEPOT

HANDY SERVICE LIGHT

Part No. 84059809

Includes: Magnetic mount and 33' cord



Deluxe Service Light Kit DEPOT

Part No. 84084608

- This kit will help the operator or service personnel when extra lighting is required
- The work lights are positioned to illuminate the concave section of the rotor, belt, and pulley areas of the combine
- Two switches control five (5) lamps



ACCESSORIES

Fire Extinguisher Kits DFS

Includes: Fire extinguisher, decal and mounting bracket



Part No.	Application
B94986	10 lb. Capacity, UL-Rated 4A-60 B:C
47613710	Fire Extinguisher Assembly, NA, CR9000, CX8000 series, MY2011; CX8000 series, MY2013; CR6090, CR7090, CR8080, CR8090, CR9090, MY2015 CX8000 series, MY2015

Coolant Heater Kit DEPOT

Includes: Heating element and cord

Part No.	Description
84438888	CR970
84332851	CR6080 & CR7080, 2015
84332852	CR8080 & CR9080, 2015



Chain Breakers

Part No.	DEPOT	Description
1132041R1E		#1 Chain Breaker, 35-60 chain
1132042R1NH		#2 Chain Breaker, 60-80 chain

Part No.	DFS	Description
87298058		#3 Chain Breaker, 100+ chain



PART NO. 1132042R1NH ▶

Snugulator® Tighteners DEPOT

PLAIN TIGHTENERS

Part No.	Description
B95756	2-1/8" Wide, 3/4" Hole
B95763	1" Wide, 5/8" Hole

FLANGED TIGHTENERS

Part No.	Black Ace Part No.	Description
B95759	2550FBE3	1-3/8" Wide, 3/4" Hole
B95764	2755FCB2	1" Wide, 5/8" Hole



◀ PART NO. B95763

Hook Kit For Side Shields DEPOT

Part No. 87297854NH

Application: All CR combines



Idlemaster®, Black Ace® and Snugulator are registered trademarks of Terog Manufacturing.

Rubber Latch Kit DEPOT

Part No. 87297876

Application: All CR combines

Includes: Latch kit and hardware

ACCESSORIES DIA KITS

DEALER INSTALLED ACCESSORIES

Accessories DIA Kits

Check with your dealer or the online parts catalog for full details on the below available kits.

Part No.	Description	Application
Operators Platform Accessories		
84059809	Additional Portable Light	CR6090, CR7090, CR8080, CR8090, CR9090, MY2015; CR9000 & CX8000, MY2011; CX8000, MY2013 & 2015
84084608	Undershield Light Kit A	CR9000, MY2011
87377127	Undershield Lighting	CX8000, MY2011 and 2013; CX8000, MY2015
84111777	Flip-Up Light Kit	CX8000, MY2011
84378868	Flip-Up Light Kit	CX8000, MY2013
84081524	Light Ext. Kit NA	CR6090, CR7090, CR8080, CR8090, CR9090, MY2015; CX8000, MY2015
47515309	Distance Light Kit LED	CR6090, CR7090, CR8080, CR8090, CR9090, MY2015
84095875	Printer A (in-cab)	CR9000, MY2011; CX8000, MY2011, 2013 and 2015, All CR, All CX, CSX7000
48089406	Printer (in-cab)	CR6090, CR7090, CR8080, CR8090, CR9090, MY2015
84081897	Premium Speakers	CR9000, MY2011; CX8000, MY2011 and 2013
84081951	CD Radio/Prem. Speakers	CR6090, CR7090, CR8080, CR8090, CR9090, MY2013
87530969	Platform Ext. 30" (750 mm)	CR9000, MY2011
84180491	Platform Ext. 250 mm A	CR9090; CX8000, MY2013 and 2015
84181669	Platform Ext. 500 mm A	CR9090; CX8000, MY2013 and 2015
84180489	Platform Ext. 750 mm A	CR9090; CX8000, MY2013
47643833	Platform Ext. 610 mm	CR6090, CR7090, CR8080, CR8090, CR9090, MY2015
47664592	Platform Ext. 875 mm A	CX8000, MY2015
87754060B	Camera Kit	CR8000, CR9000, CR9000 Elevation, CX8000, CX5000, CX6000, CSX7000
47574915	Camera Kit	CR8000 & CR9000 ASN947, CX7000 & CX8000 Elevation
47574918	Camera Kit	CR9000 MY08, CR9000 Elevation, CX8000 MY08 & MY09, CX5000, CX6000, CSX7000
87335398	Smartsteer™ Edge Guidance Sensor Kit*	CR8000, CR9000, CR9000 Elevation, CX8000, CX7000 & CX8000 Elevation, CX5000, CX6000
84972794	Row Guidance Sensor Kit	Corn header MR & MF series
47658048	Grain Flow Sensor Kit	All CX, All CR
47521203M	Proximity Mirror RH	CX8000, MY2015
84344828	Ladder for Tracks	CR9090
47358134	Ladder for Tracks	CR6090, CR7090, CR8080, CR8090, CR9090, MY2015
47597754	Hand Cleaning Device	CR6090, CR7090, CR8080, CR8090, CR9090, MY2015
47500035	Toolbox	CX8000, MY2015

* When ordering 87335398, you must order 87522725 Edge Guidance Sensor Mounting Kit.

ACCESSORIES DIA KITS

DEALER INSTALLED ACCESSORIES

Accessories DIA Kits

Check with your dealer or the online parts catalog for full details on the below available kits.

Part No.	Description	Application
Header Trailer Accessories		
84081532	Automatic Rotating Trailer Hitch EUR	CX8000, MY2013
84558358	Automatic Rotating Folding Trailer Hitch	CX8000, MY2013
84081531	Automatic Rotating Trailer Hitch NA	CX8000, MY2013
84558359	Automatic Rotating Folding Trailer Hitch NA	CX8000, MY2015
84558354	Fix Folding Trailer Hitch	CX8000, MY2015
Corn Equipment Accessories		
84040942	Rotary Dust Screen Brush	CR6090, CR7090, CR8080, MY2013; CX8080; CX8000, MY2015
84111565	Rotary Dust Screen Brush	CR8090, CR9090, MY2013; CX8080; CX8000, MY2015
84366571	Rotary Dust Screen Blow-off	CX8090, MY2013
84238188	Rotary Dust Screen Blow-off	CR9090, MY2013
84293204	Rotary Dust Screen Blow-off	CX8080; CX8000, MY2015
84238185	Rotary Dust Screen Blow-off	CX8090; CX8000, MY2015
84357171	Wet Corn Thresh Conv. Kit	CR6090, CR7090, CR8080, MY2013
84357173	Wet Corn Thresh Conv. Kit/ Covers	CR6090, CR7090, CR8080, MY2013
87489141	Wet Corn Thresh Conv. Kit/ Covers	CR8090, CR9090, MY2013
87316675	Hump Plate Fl	CR8090, CR9090, MY2013
84194089	Corn Cleaning Conv. Kit	CR6090, CR7090, CR8080, CR8090, CR9090, MY2013
87515612	CCM Kit	CR6090, CR7090, CR8080, CR8090, CR9090, MY2013
84187122	Upper Shoe Arm Kit	CR6090, CR7090, CR8080, CR8090, CR9090, MY2013
84370020	Deflector Kit	CX8000, MY2015
84060286	Wheel Spacers	CX8000, MY2015
84095964	Axle Ext. 265 NA (PLAN FD)	CX8000, MY2015
84095959	Axle Ext. 316 NA (PLAN FD)	CX8000, MY2015
47658048	Yield Mon. Package	CX8000, MY2015

PLM[®]/INTELLISTEER ACCESSORIES

PLM[™] IntelliView IV Display & Navigation Controller III DEPOT

Part No.	Description
48128370	New Holland IntelliView IV Display
48036776	New Holland IntelliSteer [®] Navigation Controller III
47962967	USB Flash Drive, 4GB USB for Intelliview III & IV



Display Completing Package DEPOT

Part No. 87583911

Monitor Mounting Bracket. Required on combines ordered with the non-touch screen monitor new touch screen monitor to same bracket. Required if the IntelliView Plus II is equipped with a plastic mounting plate.

Application: CR, CX series combines

Vehicle Mounting Packages DEPOT

Includes: Mounting brackets, steering sensor, electronic steering valve and manifold, hoses, wiring harness, cabling and hardware required to make combine IntelliSteer ready

Part No.	Application
84346256	Tier 4A CR series, Models CR9090, CR8090, CR8080, CR7090, CR6090 combines
87583590*	CR 9040 - 9080 combines
87522980	CX 8070 - 8090 combines - 2008 and later (series 160X or later)

* Also Required: GPS Antenna mounting kit also required.

GNSS Receivers DEPOT

Part No.	Description
47933753	NH 372 Receiver - Supports WAAS/RangePoint RTX
47933756	NH 372 Receiver - Supports OmniSTAR/CenterPoint RTX Standard
47933759	NH 372 Receiver - Supports PLM RTK+/RTK/CenterPoint RTX Fast



GNSS Receiver Upgrades DFS

Part No.	Description
ZTN87855	NH 372 Receiver Accuracy Upgrade: WAAS/RangePoint RTX to OmniSTAR/CenterPoint RTX Standard
ZTN87858	NH 372 Receiver Accuracy Upgrade: OmniSTAR/CenterPoint RTX Standard to PLM RTK+/RTK/CenterPoint RTX Fast

Vehicle Specific GNSS Install Kits DEPOT

Includes: GNSS Mounting Kit – Includes outside antennae harness and extension mount

Part No.	Application
87583592	CR combines with Grain Tank Extensions
87522979	CR Tier 4A and Tier 3 combines with Grain Tank Covers; CX Tier 4A combines

LUBRICATION

Lincoln Automated Lubrication System

This kit automatically lubricates 33 lube points, which frees the operator to harvest more acres a day. The complete kit can be installed in approximately 12 hours. It comes with complete and detailed instructions, mounting hardware and fittings required for the installation.

Completely reliable and fully automatic, this system is designed to increase the component life of the forage harvester while minimizing downtime and reducing labor costs related to the traditional method of manual lubrication. This system has been tested by New Holland in the field without failure.

With an automated lubrication system, small amounts of grease are constantly provided to the components while in operation, maintaining a grease seal to block contaminants from the lubricated area.



▲ PART NO. 87298560

Powerluber® Cordless Rechargeable Grease Gun

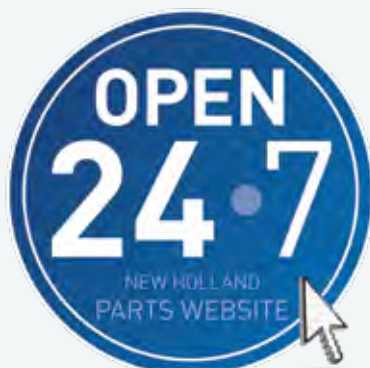
LUBRICATES ANYTHING, ANYTIME, ANYWHERE.

Includes: Comfortable grip, balanced design, hook for shoulder strap, built-in hose and coupler holder, and compact carrying case

- 12-Volt and 14.4-Volt for most lubricating application
- Two-speed switch for high-pressure or high-volume delivery
- Cycle indicator pin to monitor grease output
- A “smart” charging system delivers reliable power

Part No.	DEPOT	Description
73340712		18-Volt PowerLuber, One Battery
B95785S		12-Volt PowerLuber, One Battery

Part No.	DFS	Description
73340713		18-Volt PowerLuber, Two Batteries
73340714		120-Volt Corded Gun in Box
73340716		120-Volt Corded Gun in Case
87298560		14.4-Volt PowerLuber, One Battery
87298561		14.4-Volt PowerLuber, Two Batteries
87298562		14.4-Volt Battery
87298563		14.4-Volt Quick Charger
B95786S		12-Volt PowerLuber, Two Batteries
B95787		12-Volt Charger
B96508		12-Volt Field Charger
B95788		12-Volt Battery
B95789		30" Flex-Whip Hose; 12-Volt and 14-Volt



MyCHNiStore.com

GREASE / GREASE GUNS

DFS

Heavy-Duty Pistol Grip Grease Gun

Part No. MN5403

Heavy-duty aluminum die-cast head with super-strong pistol grip handle.

- Develops 7,000 psi
- Complete with 18" flexible hose and Professional four-jaw coupler



Heavy-Duty Lever Action Grease Gun

Part No. MN5401

Top-of-the-line grease gun designed for heavy-duty applications.

- Develops 10,000 psi
- Variable stroke for confined areas
- Complete with 6" bent steel extension and Professional four-jaw coupler



18 Volt Electric, Heavy-Duty Grease Gun

Part No. BN5403E

Includes: Two 18v, 1.5 lithium ion batteries, charger and carrying case

- 9,500 psi
- Complete with 42" flexible hose



Multi-Purpose Grease

(MAT 3555-A)

A multi-purpose NLGI 2 lithium grease with extreme pressure (EP) and anti-wear (AW) properties. Suitable for wheel bearings, universal joints, spline shafts, water pump bearings, chassis and general lubrication.

Part No.	Description
73344349	Tube / 14 oz
73344350	35 lb / 15.9 L

PART NO. 73344349



Hi-Temp Multi-Purpose Grease

(MAT 3555-B)

Part No. 73344356, Tube / 14 oz.

A multi-purpose NLGI 2 lithium complex grease, meeting NLGI GC-LB, suitable for high temperature applications, such as agricultural, construction, automotive and industrial equipment. It's designed for use in conventional and disc brake wheel bearings, universal joints, spline shafts, water pumps and for general chassis lubrication.



Multi-Purpose

Moly Grease (MAT 3555-C)

A multi-purpose NLGI 2 lithium complex grease with extreme pressure (EP) and anti-wear (AW) properties. The grease also contains 5% molybdenum disulfide. It's designed for heavy-duty use in construction, industrial and agricultural equipment. It provides protection from extreme loads, shock loading or slow speed conditions.

Part No.	Description
73344351	Tube / 14 oz
73344352	120 lb / 54.5 kg

PART NO. 73344351



Premium Multi-Purpose Grease

(MAT 3555-D)

Part No. 73344354, Tube / 14 oz.

A premium NLGI 2 calcium sulfonate complex grease formulated with semi-synthetic base fluids that meets the NLGI GC-LB performance requirements. It is suitable for low and high temperature applications such as agricultural, construction, automotive and industrial equipment. It's designed for use in conventional and disc brake wheel bearings, universal joints, spline shafts, water pumps and for general chassis lubrication. It provides excellent low- and high-temperature performance.



Corn Header Grease

Part No. B95920, Tube / 14 oz.

Recommended for use in the gear box of corn header attachments. Extra soft-grade of lubricating grease. Helps fight rust and corrosion. Resists washout from rain and moisture. NLGI Grade No. 0. Cartridge can be used in any standard grease gun.



LUBRICANTS DFS

Lubricants You Trust. Results you Demand.

Give your New Holland equipment the only formulations specifically designed for them—and engineered for your success. This leading line of lubricants features our most advanced portfolio of proprietary OEM fluids yet. They have been rigorously tested and proven to deliver maximum performance and efficiency so you can reduce repair costs, eliminate downtime and increase the life of the machines that you can count on, now and for years to come.



▲ PART NO.
73341772

▲ PART NO.
73341750

Hydraulic Transmission Oil Premium

Season after season the hours add up on your New Holland machines that often need to operate in a wide range of environments and temperatures. To keep those transmissions, axles and hydraulic systems highly responsive and free of deposits, New Holland Hydraulic Transmission Oil Premium is formulated with the latest zinc free* additives, plus anti-wear additives that also reduce corrosion, sludge and foaming. From legacy to continuous variable transmissions (CVTs), New Holland Hydraulic Transmission Oil Premium provides superior performance and protection for all generations of equipment.

- **Newly Improved:** Keeps systems free of deposits while inhibiting wear, corrosion and noise across all generations of equipment
- **Industry-Leading Protection:** Features 1% water tolerance and heat protection, plus superior oxidation stability, shear stability and wear protection
- **Run Better, Longer:** Zinc free* formula delivers best-in-class performance

Description	Size	Part No.
Hydraulic Transmission Oil Premium MAT Spec Approved	1 Gal./3.78 L	73344272
	2.5 Gal./9.46 L	73344273
	5 Gal./18.92 L	73344274
Hydraulic Transmission Oil Premium (Synthetic) MAT Spec Approved	5 Gal./18.92 L	73344277

New Holland Engine Oil

HEAVY-DUTY ENGINE OIL FOR DIESEL ENGINES

Today's Tier 4 engines are more efficient and powerful than ever and require high performance engine oils to protect against hotter temperatures and higher pressures. To deliver the reliability you demand from your equipment, CNH Industrial engineers put our New Holland Engine Oils through rigorous, internal testing—exceeding industry standards for CK-4 requirements. Giving you maximum protection against oil oxidation and viscosity loss due to shear, and superior oil aeration control.

- **Superior Oxidation & Deposit Control:** Greater oxidation resistance vs. competition
- **Extended Drain Intervals:** Maximizes uptime when it matters most
- **Meets Stringent Demands:** Utilizes Low-SAPS (sulfated ash, phosphorus and sulfur) additive technology to protect Tier 4 engines
- **Bench & Field Tested:** Engineered, tested and proven to perform in heavy-duty operation of agriculture and construction equipment

Description	SAE	Size	Part No.
Engine Oil MAT 3572	15W-40	1 Qt./.95 L	73344239
		1 Gal./3.79 L	73344240
		2.5 Gal./9.46 L	73344241
		5 Gal./18.93 L	73344242
Engine Oil MAT 3572	10W-30	1 Qt./.95 L	73344217
		1 Gal./3.79 L	73344218
		2.5 Gal./9.46 L	73344219
		5 Gal./18.93 L	73344220
Engine Oil (Synthetic) MAT 3571	0W-40	2.5 Gal./9.46 L	73344246
Engine Oil (Semi-Synthetic) MAT 3571	10W-40	1 Gal./3.79 L	73344226
		2.5 Gal./9.46 L	73344227
		5 Gal./18.93 L	73344228

COOLANT

DFS

Extended-Life OAT Coolant

HEAVY-DUTY OAT COOLANT / ANTIFREEZE

As emissions standards continue to evolve and become stricter, New Holland continues to push our technology to stay well ahead of the curve. Based exclusively on a combination of Organic Additive Technology (OAT), this long service life coolant provides excellent overall corrosion protection and superior high temperature protection in extreme conditions. It also shields cooling system metals like brass, copper, solder, steel and cast iron against rust, corrosion and deterioration.

- **Designed to Last:** Provides up to 4,000 hours/4 years without booster or extender
- **Backwards Compatible:** The only coolant able to protect all equipment generations
- **Organic Additive Technology:** Provides excellent corrosion protection and delivers superior high temperature protection in extreme conditions



▲ PART NO.
73344306



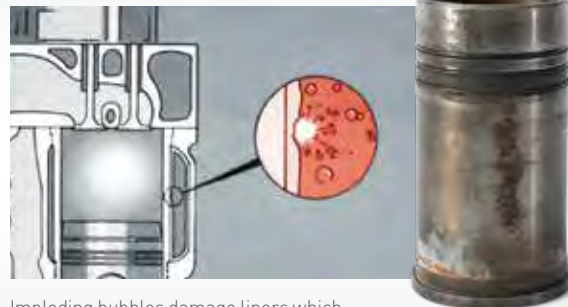
▲ PART NO.
73344307

Description	Size	Part No.
Extended-Life OAT Coolant Concentrate MAT 3724	1 Gal./3.78 L	73344306
Extended-Life OAT Coolant 50/50 Premix MAT 3724	1 Gal./3.78 L	73344307
	2.5 Gal./9.46 L	73344308

CHEAPER PRODUCTS HAVE COSTLY CONSEQUENCES.

As diesel engines operate, vibration of the cylinders creates microscopic bubbles in the coolant that attach to the liners. These bubbles can implode with a force of over 15,000 PSI which can blast small holes in the cylinder liner. Without the protection of a heavy-duty coolant, the result is liner cavitation.

Over time, liner cavitation can allow coolant to enter the engine oil. This compromises lubrication and results in excess friction, which ultimately leads to engine failure. Actifull OT Extended-Life coolant offers superior liner protection by covering internal parts with a robust film that takes the abuse of implosions to avoid premature engine failure.



Imploding bubbles damage liners which can cause cavitation

FILTERS

Engine Oil Filters

Your off-road equipment generates more usable horsepower than ever before – much more than automotive engines. Tighter tolerances, higher temperatures and severe-duty cycles of off-road engines require high-quality filtration and increased durability without sacrificing filter life.

- Our MicroLoc™ synthetic media is 70% more efficient in filtering critical contaminants as compared to paper-based filter media
- Improved cold flow allows filtered oil to reach the engine more quickly
- Delivers high-soot tolerance and dirt-holding capacity for greater filter life



View our New Holland Engine Oil Filter Video

Hydraulic Filters

As one of the first users of high-performance synthetic media in hydraulic and transmission filters, we continue to deliver the optimum balance of efficiency and capacity with genuine New Holland filters.

- Dirt-Loading Test – 4.4% more dirt-holding capacity. Maximize your service life.
- High-Viscosity Pressure Drop – 25% less restriction. Cold starts generally cause high pressure through the system, which can force oil to bypass a filter.



View our New Holland Hydraulic Filter Video

Engine Air Filters

When tested side-by-side, genuine New Holland filters deliver up to 60x more protection against potentially damaging particles. That's because genuine New Holland makes sure its filters do what they're intended to do: **PROTECT YOUR INVESTMENT.**

- Our air filters deliver up to 3x more efficiency than conventional filters, so they can stop smaller contaminants. The superior synthetic media catches particles a tenth the diameter of a human hair.
- Pleatloc™ media spacing for improved life
- Urethane seals and molded-in-place gaskets
- Advanced RadialSeal™ provides a tight seal in poor underfoot conditions



Fuel Filters

With the extremely high injection pressures and tight tolerances of today's low-emissions engines, it doesn't take much dirt to clog a fuel system and stall an engine – and you work in a lot of dirt. Choose the best protection.

- Durable MicroLoc™ proprietary media delivers high efficiency filtration in the toughest environments
- Higher efficiency without loss of capacity
- Better injector and fuel pump protection



View our New Holland Fuel Filter Video

OUR SUPERIOR COMPONENTS MAKE THE NEW HOLLAND DIFFERENCE

- **Canister** — Smooth end and corners resist pressure cracks.
- **Spring** — Robust, heavier gauge wire provides strong seal pressure; Wide-diameter provides stable filter support and prevents rocking.
- **Filter Media** — Synthetic, high capacity; high-efficiency
- **Seal** — Provides critical seal directly between element



SMARTSTART™ BATTERIES: THE TOUGHEST YOU CAN BUY



The value in batteries is more than skin deep. Though they all look similar on the outside, there are substantial differences in design, construction and materials.

For farm and construction equipment, you want heavy-duty batteries that are built to handle tough, off-road conditions. The number one killer of off-road batteries is vibration and Premium Heavy Duty batteries are built to take a pounding! Premium Heavy Duty batteries are designed to better handle the vibration and jolts that can literally knock the life out of automotive batteries.

1. Flame arrestor vent lug allows gas to escape, but keeps external flames or sparks from entering the battery.
2. Superior intercell connectors prevent cell-to-cell leakage on steep grades to ensure reliable battery operation.
3. Special alloy grids retain a charge longer and accept it quicker – critical for off-road equipment that typically sits unused for long periods of time.
4. Computerized radial grids ensure the shortest, most direct flow to the terminal – for quick starting and recharging.
5. Envelope separations prevent grid-to-grid contact, promoting longer battery life.
6. Epoxy anchoring reduces grid plate vibration and short circuiting, holds much better than commonly used hot-melt glues.

Why Batteries Fail?

SULFATION

- When a battery discharges, sulfate from the electrolyte combines with lead to create lead sulfate. This chemical reaction is the source of a battery's power.
- When a battery is recharged, the process is reversed.
- When a battery is not recharged for more than a few weeks, the lead sulfate hardens on the battery's plates. If this continues to happen, the battery's life is shortened.

OPERATOR HABITS – FREQUENT STARTS AND STOPS

- Battery is never given the chance to fully recharge.

VIBRATION

- Extended and repeated high-vibration can crack the battery's welds and plates which can cause a electrical short.

TEMPERATURE

- When it's hot, batteries discharge more and sulfation is more likely to occur.
- When it's cold, the chemical process slows within the batteries producing less power when it is needed most.

VEHICLE STARTING AND CHARGING SYSTEM PERFORMANCE

- A battery that does not match the starting and charging system will prematurely fail.

Why A SmartStart OE Battery?

SMARTSTART BATTERY PLATES ARE MADE FROM A HYBRID ALLOY

- This alloy allows easier recovery from discharge and more discharge/recharge cycles.
- This is even more important when there are long periods of dormancy and frequent starts and stops.

SMARTSTART BATTERIES WITHSTAND VIBRATIONS UP TO 5G

- This comes from heavier lead components that make the SmartStart battery 4–6 pounds heavier than the competition.
- The SmartStart battery is also helped by an epoxy-flooded base that anchors the plates in place.

FLAME-TREATED FOR BETTER STRENGTH

- The SmartStart battery uses a flame-treated container with vertical ribs to again withstand vibration and hold up better in extreme temperatures.
- The SmartStart container is 20% stronger than the competition's batteries not made for heavy-duty off-road applications.

APPLICATION SPECIFICITY

- SmartStart engineers specifically choose a SmartStart battery to match the starting and charging system of the particular application.

RADIOS DFS

Heavy-Duty Mini Radios

Part No.	Description
ZAEJHD40BTHD	Radio, Heavy Duty with AM/FM/WB/USB/Bluetooth, Waterproof
ZAEJHD910BTHD	Radio, Heavy Duty with AM/FM/WB/iPod & iPhone/Bluetooth, Waterproof
ZAEJHD910PKGHD	Radio Kit, MINI Waterproof Radio (ZAEJHD910HD), 6" side Mount Rubber Mast Antenna (ZAEJAN139HD); 3.5" MINI Waterproof Surface Mount Speakers (ZAEJXHD35HD)
ZAEJHD910HD	Radio, Heavy Duty with AM/FM/WB/iPod & iPhone



PART NO. ZAEJHD40BTHD



PART NO. ZAEJHD910BTHD



PART NO. KIT: ZAEJHD910PKGHD ANTENNA: ZAEJAN139HD RADIO: ZAEJHD910HD SPEAKERS: ZAEJXHD35HD

Heavy-Duty DIN Radios

Part No.	Description
ZAEJHD36AHDMIC	Radio, Heavy-Duty with AM/FM/WB/CD/USB/Bluetooth/iPod & iPhone Ready/SIRIUS XM Ready with Microphone, includes App Control
ZAEJHD1635BTHD	Radio, Heavy-Duty with AM/FM/USB/WB/Bluetooth/iPod & iPhone Ready/SIRIUS XM Ready with Microphone
ZAEJHD1630HD	Radio, Heavy-Duty with AM/FM/WB/iPod & iPhone Ready/SIRIUS XM Ready with Microphone
ZAEJHD1130HD	Radio, Heavy-Duty with AM/FM/WB



PART NO. ZAEJHD36AHDMIC



PART NO. ZAEJHD1635BTHD



PART NO. ZAEJHD1630HD



PART NO. ZAEJHD1130HD

OBSERVATION SYSTEMS – WIRED CAMERAS

DFS

Voyager Toughcam Single-Camera Observation System

Part No. ZAEV0S7MDCL1B

This system includes (descriptions below):

- Monitor ZAEA0M713
- Camera ZAEVCMS50i
- Cable ZAECEC25HD
- Cable ZAECEC75HD
- Monitor Mount ZAEV0SHD4MNTHD



Voyager ToughCam Two-Camera Observation System

Part No. ZAEV0S7MDCL2B

This system includes (descriptions below):

- Monitor ZAEA0M713
- Camera ZAEVCMS50i (2)
- Cable ZAECEC25HD (2)
- Cable ZAECEC75HD
- Monitor Mount ZAEV0SHD4MNTHD



Voyager ToughCam Two-Camera Quad View Observation System

Part No. ZAEV0S7MDCL2Q

This system includes (descriptions below):

- Monitor ZAEV0M74TQ
- Camera ZAEVCMS50i (2)
- Cable ZAECEC25HD
- Cable ZAECEC75HD
- Monitor Mount ZAEV0SHD4MNTHD



Monitors

7" LCD

Part No. ZAEA0M713

- 7", wide format, color LCD panel
- Energy-efficient white LED backlight
- Accepts up to three camera inputs
- Anti-glare/scratch protective lens with removable sun visor
- Integrated audio speaker
- NTSC and PAL video signal compatible
- Manual (push button) or automatic (trigger) source selection
- Auto power on (standby) and auto day/night brightness modes
- On-screen display for AV source, picture and volume adjustment
- Non-volatile memory for picture and volume settings
- Multiple mounting options (AMPS compatible)

7" MULTI-VIEW LCD TOUCHSCREEN

Part No. ZAEV0M74TQ

- 75' cable can be daisy chained together
- Non-corrosive locking connectors with 4-pin round plug

Camera

SUPER CMOS COLOR

Part No. ZAEVCMS17B

- High performance CMOS sensor
- Waterproof (IP69K); corrosion resistant (ASTM B117)
- Viewing angles: 150°/120°/90°
- IR LED assisted illumination
- Microphone
- FCC, E9 certified
- Compact – Dimensions (w/out bracket): 1"W x 1"H x 1.32"D

Cables

25' CAMERA EXTENSION

Part No. ZAECEC25HD

- 25' cable can be daisy chained together
- Non-corrosive locking connectors with 4-pin round plug

75' CAMERA EXTENSION

Part No. ZAECEC75HD

- 75' cable can be daisy chained together
- Non-corrosive locking connectors with 4-pin round plug

Monitor Mount

UNIVERSAL PEDESTAL

Part No. ZAEV0SHD4MNTHD

- Thumbscrew adjustable knuckle at midpoint
- Universal 4-hole mounting pattern mates with all Voyager LCD monitors
- Matte black finish

OBSERVATION SYSTEMS – WIRELESS CAMERAS

DFS

Voyager ToughCam Digital Wireless Observation System with 5.6" Monitor

Part No. ZAEWV05541AP

- 5.6" monitor comes with suction cup mount and 12V DC plug for easy portability
- Wireless back-up camera connects to running lights or other 12V power source
- Easy installation that fits most applications
- No cables or wiring necessary
- HD digital WiSight technology – signal transmits through and around objects up to 60 ft. away
- Inputs for one wired and four wireless cameras (Part No. ZAE31100131) harness required to add wired camera)



System Includes:

- ZAEWVOM541AP monitor
- ZAEWVCMS130AP camera
- Camera mounting bracket
- Stainless steel hardware

Voyager ToughCam Digital Wireless Observation System with 7" monitor

Part No. ZAEWV057MDCL1B

Same as ZAEWV05541AP with the exception of a larger 7" monitor and inputs for two wired cameras and one wireless camera (included)



System Includes:

- ZAEWVOM713AP monitor
- ZAEWVCMS130AP camera
- Camera mounting bracket
- Stainless steel hardware

Voyager CMOS Wireless Back-up Camera

Part No. ZAEWVCMS130AP

- 12V DC power system
- High-performance CMOS sensor
- Waterproof (IPX7)
- NTSC video output signal format
- Sensitivity: 0 Lux (with IR LED ON)
- Viewing Angle: 117°
- Excellent low-light and daylight environment performance
- 14 IR LEDs for excellent night vision
- Dimensions: 3.4"W x 1.7"H x 1.7"D



partstore.agriculture.newholland.com

TOYS

DFS

T8.435 Tractor, Prestige Collection

Part No. ERT13860

- 1:32 scale
- Left-side fuel tank and steps
- Front and rear duals
- Warning arms
- Mirrors and rear fender lights.

L230 Skid Steer Loader

Part No. ERT13891

- 1:16 scale
- Working boom arms, cylinder and bucket
- Opening cab door

CR8090 Combine, Prestige Collection

Part No. ERT13830

- 1:32 scale
- Pivoting unloading auger and front ladder
- Feeder housing raises and lowers
- 12-row corn header and 30-foot grain head
- Rear warning lights and railings
- Detailed interior
- Age 14+

PART NO.
ERT13891



PART NO.
ERT13860



PART NO.
ERT13830



PRESSURE WASHERS

DFS



A. 2,700 PSI, HOT-WATER, GAS PRESSURE WASHER

Part No. MN2765HAHW

- Honda OHV GX200 engine (196cc)
- Commercial-grade triplex pump with 50' high-pressure hose
- Industrial-grade gun/wand assembly and dual wand

C. 1,500 PSI, ELECTRIC PRESSURE WASHER

Part No. MN1515EN

- Electric 1.5 HP, 120V, 13.2 AMP motor
- Direct-drive, commercial-grade triplex plunger pump with 25' high-pressure hose
- Industrial-grade gun/wand assembly and dual wand

B. 3,100 PSI, GAS PRESSURE WASHER

Part No. MN317RX

- PowerEase OHV R210 engine (210cc)
- Direct-drive, commercial-grade axial pump with 25' high-pressure hose
- Industrial-grade gun/wand assembly and dual wand

D. 4,000 PSI, GAS PRESSURE WASHER

Part No. MN4013HA

- Honda OHV GX390 engine (389cc)
- Direct-drive, commercial-grade triplex plunger pump with 50' high-pressure hose
- Industrial-grade gun/wand assembly and dual wand

GENERATORS

DFS



9,000-WATT, GAS GENERATOR

Part No. MN9000ER

- PowerEase electric-start engine (420cc)
- 7,100 running watt output
- Auto-idle feature, low-oil shutdown and automatic voltage regulator



2,000-WATT, GAS INVERTER GENERATOR

Part No. BN2000I

- PowerEase OHV pull-start engine (79cc)
- 1,600 running watt output
- 1 × 120V GFCI Duplex (20A)
- Ultra quiet-running
- Automatic throttle saves fuel
- Decibel rating: 59db @ rated load, 53db @ 1/4 load

WATER PUMPS

DFS



A. 3" WATER PUMP

Part No. MNW365HR

- Honda OHV GX200 engine (196cc)
- Centrifugal aluminum pump
- Cast-iron impeller
- 264 GPM maximum discharge flow

B. 2" WATER PUMP

Part No. MNW27R

- PowerEase OHV engine (210cc)
- Centrifugal aluminum pump
- Cast-iron impeller
- 158 GPM maximum discharge flow

C. 2" CHEMICAL TRANSFER PUMP

Part No. MNW27RN

- PowerEase OHV engine (210cc)
- Nylon impeller and pump housing
- Resistant to most fertilizers and chemicals
- 154 GPM maximum discharge flow

D. 3" TRASH PUMP

Part No. MNW37RT

- PowerEase OHV engine (210cc)
- Centrifugal aluminum pump
- Cast-iron impeller
- Solids up to 1"
- 264 GPM maximum discharge flow

AIR COMPRESSORS

DFS



A. 8-GALLON GAS AIR COMPRESSOR, WHEELBARROW

Part No. BNAC658HB

- 196cc Honda GX200 engine
- 8 GAL
- Belt drive
- Wheel barrow
- 15.1 CFM @ 40 PSI
- 13.9 CFM @ 90 PS
- No flat tires

C. 8-GALLON GAS AIR COMPRESSOR

Part No. BNAC908HB

- 270cc Honda GX270 Pull Start
- Belt drive
- 17.7 CFM @ 175 PSI
- Two stage compressor

D. 8-GALLON GAS AIR COMPRESSOR, WHEELBARROW

Part No. BNAC708RB

- PowerEase OHV engine (210cc)
- Belt drive
- 15.1 CFM @ 40 psi, 13.9 CFM @ 90 psi
- No flat tires

B. 30-GALLON GAS AIR COMPRESSOR, TRUCK MOUNT

Part No. BNAC1330HEB

- Honda OHV G390 electric-start engine
- 23 CFM @ 175 psi
- Belt drive
- Two stage compressor

GLOVES DFS

High Dexterity Mechanics Gloves

Part No. MN6000M (medium), MN6000L (large), MN6000XL (extra large)

- Durable, synthetic leather palm
- Breathable, form-fitting spandex back
- Adjustable wrist closure to lock out dirt and debris
- Machine wash, air dry



Insulated Leather Gloves

Part No. BN6825M (medium), BN6825L (large)

- Grain cowhide leather with tailored keystone thumb
- Insulated for warmth, self-hemmed with shirred elastic back



Leather Work Gloves

Part No. MN6900L (large)

- Rugged suede cowhide palm, finger tips and knuckles
- Shirred elastic back
- Rubberized safety cuff



Padded Back Mechanic Style Gloves

Part No. MN6050M (medium), MN6050L (large), MN6050XL (extra large)

- Breathable, form-fitting spandex back and padded knuckles
- Abrasion-resistant, non-slip palm patches
- Terry cloth sweat wipe on thumbs
- Adjustable wrist closure to lock out dirt and debris
- Machine wash, air dry



Insulated Suede Leather Gloves

Part No. MN6855L (large), MN6855XL (extra large)

- Soft and durable suede leather with tailored keystone thumb
- Extra-warm lining
- Self-hemmed with shirred elastic back



Disposable Gloves

- Made from a 100% synthetic rubber to provide superior resistance to a wide range of solvents and hazardous chemicals
- Suitable for users with natural rubber latex sensitivity
- Textured fingers to provide a secure grip on dirty parts and tools

Part No.	Description
HW1450BXS BCNH6525M BCNH6527L BCNH6527XL	100/Box, N-DEX, Nitrile Welding Gloves

Yellow Chore Gloves

Part No. MN6300L (large)

- Bonded and double thickness throughout
- Knit wrist to keep out debris
- Full-cut design
- 100% comfortable cotton construction



Brown Jersey Chore gloves

Part No. MN6200L (large)

- Heavyweight jersey
- Knit wrist to keep out debris
- Perfect everyday light-duty gloves



**PART NO.
BCNH6527L**



CAB ACCESSORIES

Seats

Part No.	Description	Application
87396789	Driver Seat, Air Suspension	CR9040, CR9060, CR9065, CR9070 combines
87724613	Driver Seat, Cloth	CR9040, CR9060, CR9065, CR9070, CR9080 combines
87724616	Driver Seat, Gray Leather with Heat	CR9040, CR9060, CR9065, CR9070, CR9080, CR9090, CR6090, CR7090, CR8090, CR9090, CX8070, CX8080, CX9090 combines



▲ PART NO. 87724616

Headliners

Part No.	Description	Application
87728698	Soft Trim	CR9040, CR9060, CR9065, CR9070, CR9080 combines
86979509	Soft Trim	CR920, CR940, CR960, CR970, CR980, CR9060, CR9070, CR9080, CR9090, CX840, CX860, CX880, CX8070, CX8080, CX8090 combines

Mirrors

Part No.	Description	Application
84059851	Left Hand	CR9040, CR9060, CR9065, CR9070, CR9080, CR920, CR940, CR960, CR970, CX8070, CX8080, CX8090, CX840, CX860, CX880 combines
84059852	Right Hand	CR9040, CR9060, CR9065, CR9070, CR9080, CR920, CR940, CR960, CR970, CX8070, CX8080, CX8090, CX840, CX860, CX880 combines
84059853	Rear View	CR9040, CR9060, CR9065, CR9070, CR9080, CR920, CR940, CR960, CR970, CX8070, CX8080, CX8090, CX840, CX860, CX880 combines
84067955	Left Hand	CR9040, CR9060, CR9065, CR9070, CR9080, CR9090, CX8070, CX8080, CX8090 combines
84067956	Right Hand	CR9040, CR9060, CR9065, CR9070, CR9080, CR9090, CX8070, CX8080, CX8090 combines



MOISTURE TESTERS DFS

Ag-MAC PLUS Grain Moisture Tester with Test Weight

Part No. B97443

- Direct readout for 20 different grain scales
- Displays grain test weight (no pre-weighing)
- Measures moisture fast, easy, and accurately
- Non-compaction design with LCD display
- USB compatibility
- Automatic temperature compensation
- Moisture range: 6% - 45% depending on grain tested
- Temperature Range: 40°-113° F (5°-45° C)
- Repeatability and accuracy $\pm 0.2\%$ in normal moisture range for stored grain



Ag-MAC PLUS Grain Moisture Tester with Test Weight

Part No. 73342899

- Direct readout for 40 different grain scales
- 2.5" LCD display with selectable large or standard size fonts
- Low battery indicator and battery saver
- Illuminated, multilingual display – English, French, German, Italian, Portuguese, Spanish and Swedish
- Moisture range: 5%–40% depending on grain tested
- Temperature range: 32°–113°F (0°–45°C)
- Repeatability and accuracy: $\pm 0.5\%$ in normal moisture range for stored grain
- Convenient clamshell packaging



MT-PRO™ Multi-Grain, Multi-Language, Grain Moisture Tester

Part No. B96649NH

- 39 grain scales
- Information displays in seven languages: English, French, German, Spanish, Portuguese, Italian and Swedish
- Back lighted display
- Averaging capability displays running average of tests
- Higher-frequency, capacitive circuit improves accuracy
- Multi-Point™ adjustable calibration
- Enhanced temperature compensation circuit
- Optional carrying case (Part No. 87297026)



MT-16 Grain Moisture Tester

(SUPERSEDES MODEL MT3)

Part No. B96650NH

- Direct readout for 16 grains: barley, canola, corn, flax, oats, rice (2), rye, sorghum, soybeans, sunflower (2) and wheat (4)
- Each scale can be adjusted to match local elevator
- Automatically averages up to 99 test results.
- Repeatability in normal range of stored grain within 0.5% of air-oven standard. Higher-frequency, capacitive circuit improves accuracy.
- Includes sturdy carrying case with strap
- Two-year warranty in North America, one-year overseas



Moisture-Max & Moisture-Max Plus

Includes: Moisture-Max, loader, carrying case, belt clip, 9V battery, manual and one-year manufacturer's warranty

THE WORLD'S MOST ACCURATE HANDHELD GRAIN MOISTURE ANALYZER

New Holland grain moisture analyzers are the first handhelds with "grain trade" accuracy. Two versions are available:

- Moisture-Max – for highly accurate moisture testing.
- Moisture-Max *Plus* – accurately measures moisture and test weight.

USING U.S. FEDERAL STANDARD TECHNOLOGY

DICKEY-john's technology in the Moisture-Max and Moisture-Max *plus* is based on the GAC2100b, the U.S. federal grain standard.

UNSURPASSED BENEFITS FOR FARMING

Whether harvesting, storing or trading grain, nothing is more important to its value than moisture content and test weight.

With the Moisture-Max *Plus* you can measure moisture and test weight and it's fast, easy and accurate. Also, there's no screw cap which can damage grains, create oily residue and are cumbersome to use.

FEATURES:

- Menu-driven operating system
- An internal scale (no pre-weighing)
- USB compatibility for calibration loading
- Test weight readout (Moisture-Max *plus*)
- Used for over 450 grains and products
- Automatic temperature compensation



PART NO. 87299140

Part No.	Description
87299139	Moisture-Max Package
87299140	Moisture-Max plus Package

READY STOCK™ PARTS LOCKERS

The Parts You Need, Right at Hand.

The Ready Stock Parts Supply Locker program enables you to have parts stocked at your place of business.

Convenience

- Parts are conveniently available when you need them, saving you both time and money
- Save yourself the trip – your dealer comes to you

Cost Savings

- No up-front cost – the locker and parts management are free (at participating dealerships)
- Pay only for the parts you use

Inventory Management

- Parts are stocked by your dealer and customized to your specific needs
- Eliminates obsolete inventory – parts are updated regularly



PART NO. SN4672NAA
46" W X 24" D X 72" H

Contact Your Dealer to Order a Ready Stock Parts Supply Locker

Your dealer will work with you on your customizable parts list and will manage and restock inventory on an agreed upon schedule.

ELECTRICAL HARNESS REPAIR KITS

DFS

New Holland Combine Electrical Harness Repair Kits

- Packaged in convenient, field-ready storage systems which includes instruction booklet, replacement parts list and a cross-reference
- Save money and get up and running faster

Part No.	Description
TWX4113	Flagship combine Kit, 5 Drawers
TWX4145B	Flagship combine Common Cab Update Kit



PART NO.
TWX4145B

PART NO. TWX4113

Part No.	Page	Part No.	Page	Part No.	Page	Part No.	Page	Part No.	Page
1132041R1E	77	47574915	78	48033414	12	73340852	13	29, 30, 31, 32, 33	
1132042R1NH	77	47574918	78	48033416	12	73340853	13	73343140	21
1327448C1	6	47597754	78	48033418	12	73340854	13	73343142	21
2550FBE3	77	47601016	7	48033419	12	73340855	13	73343143	21
2755FCB2	77	47601017	8	48036776R	74	73340856	13	73343147	21
278820A5	39	47601019	7	48067879	5	73340857	13	73343148	21
278821A3	39	47601020	8	48089406	78	73341224	23, 25, 26, 27, 28, 29, 30, 31, 32, 33	73343149	25, 26, 27, 28, 29, 30, 31, 32, 33
316385	43, 59	47601021	7	48103332	5	73341226	23, 25, 28, 29, 30, 32, 33	73343150	21
319627	50	47601022	8	48103499	37			73343153	21
321848A1	7, 8	47601024	8	48109011	15			73343155	21
322423800R	75	47601025	7	48117488	64			73343157	21
338670A1R	75	47601026	8	48128370R	74			73343193	21
374895	36	47601027	7	48151134	9			73343194	21
412162002	43	47601030	7	48151135	9			73343201	70
412163002	43	47601038	8	48151136	9			73343212	51
459580	50, 61	47601040	8	48185469	8			73343224	23
47358134	78	47613710	77	48185472	8			73343225	23
47365685	39	47616142	39	48185473	8			73343226	23
47365687	39	47616143	39	504128849R	74			73343227	23
47368096	39	47617285	54	504129817R	74			73343228	23
47368097	39	47630061	9	504179011R	74			73343229	23
47369017	14	47632367	43	504188076R	74			73343230	23
47369018	14	47632368	43	504194432R	74			73343231	23
47371312	14	47635954	36	504255185R	74			73343232	23
47376358R	74	47643833	78	504387300ER	74			73343233	23
47376590	34	47658048	78, 79	51403279	5			73343234	23
47376592	34	47661907R	75	51411966	48, 50, 60, 61			73343235	23
47376615	34	47664592	78	51411967	48			73343236	23
47376621	34	47668115	43, 59	51459050	9			73343237	23
47376623	34	47668478	57	51459051	9			73343238	23
47376625	34	47678533	6	5801490155	74			73343239	23
47377859	19	47684527	80	5801490159ER	74			73343240	23
47380298	59	47689588	19	686668	70			73343241	23
47389899	49	47702873	9	686669	70			73343242	23
47389902	49	47723732	16	688741	70			73343243	23
47392568	50	47732764	36	712446002	45			73343244	23
47404142	58	47743241	17	712447002	45			73343245	23
47404150	64	47743491	54	712452001	69			73343246	23
47409318	56	47761081	5	73340211	82			73343247	23
47424191	14	47761082	5	73340672	34			73343248	23
47429194	80	47761085	5	73340673	34			73343249	23
47435759	10	47761119	5	73340674	34			73343250	24
47435766	10	47761128	5	73340675	34			73343251	24
47436731	59	47761129	5	73340676	34			73343252	24
47437136	51, 63	47762795	5	73340712	81			73343253	20
47439520	43	47762798	5	73340713	81			73343254	20
47439521	43	47762799	5	73340714	81			73343255	20
47441695	57	47762849	5	73340716	81			73343256	20
47449615	57	47762851	5	73340756	21			73343258	20
47449618	57	47776414	34	73340764	13			73343259	20
47449652	42	47781013	52	73340765	13			73343261	26
47449656	42	47781016	52	73340766	13			73343262	26
47449670	44	47787129	36	73340767	13			73343263	26
47449678	42	47795012	5	73340768	13			73343264	26
47449701	42	47795016	5	73340769	13			73343265	26
47449706	42, 44	47795023	5	73340770	13			73343266	26
47454967	36	47795024	5	73340771	13			73343267	26
47459604	39	47795025	5	73340787	12, 13			73343268	26
47459606	39	47795026	5	73340815	12			73343269	26
47459609	39	47795027	5	73340816	12			73343270	26
47459611	39	47795028	5	73340817	12			73343271	26
47459615	39	47799886	58	73340818	12			73343272	26
47459617	39	47800167	58	73340819	12			73343273	26
47460423	36	47800623	34	73340820	12			73343274	26
47464848	36	47865985	5	73340821	12			73343275	26
47466382	39	47866566	5	73340822	12			73343276	26
47466384	39	47866573	5	73340823	12			73343277	26
47473023	14	47889137	53	73340824	12			73343278	26
47473027	14	47932897	80	73340825	12			73343279	26
47473028	14	47933753	80	73340826	12			73343280	26
47479751	36	47933756	80	73340827	12			73343281	26
47481283	36	47933759	80	73340828	12, 13			73343282	26
47482340	54	48003256	14	73340831	13			73343283	26
47493457	42	48008467	16	73340832	13			73343284	26
47493458	42	48031336	4	73340833	13			73343285	26
47493459	42	48031342	4	73340834	13			73343286	26
47493460	42	48031345	12	73340835	13			73343287	28
47493462	42	48033375	5	73340836	13			73343288	28
47493466	42	48033379	5	73340837	12, 13			73343289	28
47493468	42	48033380	5	73340839	13			73343290	28
47500035	78	48033383	5	73340840	13			73343291	28
47515309	78	48033386	5	73340841	13			73343292	28
47520945	14	48033397	5	73340842	13			73343293	28
47521203M	78	48033398	5	73340843	13			73343294	28
47523835	54	48033399	5	73340844	13			73343295	28
47537020	36	48033403	5	73340846	13			73343296	28
47556848	42	48033404	5	73340848	13			73343297	28
47557929R	75	48033405	5	73340849	13				
47573592R	74	48033413	12	73340850	13				

Part No.	Page	Part No.	Page	Part No.	Page	Part No.	Page	Part No.	Page
73343298	28	73343386	25	73343872	22	84067955	94	84242662	6
73343299	28	73343387	25	73343873	22	84067956	94	84244882	14
73343300	28	73343388	25	73343874	22	84073335	58	84247201	55
73343301	28	73343389	25	73343875	22	84073440	61	84251979	18
73343302	28	73343390	25	73343876	22	84073833	55	84265931	14
73343303	28	73343391	25	73343877	22	84076561	49, 60, 61	84266747	36
73343304	28	73343392	25	73343882	22	84077046	49	84267297	57
73343305	28	73343393	25	73343883	22	84081247	4	84268018	36
73343306	28	73343394	25	73343884	22	84081342	51	84268133	36
73343307	28	73343395	25	73343885	22	84081382	64	84268136	36
73343308	28	73343396	25	73343943	22	84081383	64	84268957R	74
73343309	28	73343397	25	73343944	22	84081524	78	84275285	7, 8
73343310	28	73343398	25	73343945	22	84081531	57, 79	84284709	18
73343311	29, 30	73343399	25	73343946	22	84081532	79	84286247	43
73343312	29, 30	73343400	25	73343947	22	84081646	43	84291911	14
73343313	29, 30	73343401	25	73343948	22	84081897	78	84291914	14
73343314	29, 30	73343402	25	73343949	22	84081951	78	84292750	38
73343315	29, 30	73343403	25	73343950	22	84083486	44	84293204	79
73343316	29, 30	73343404	25	73343951	22	84083487	44	84294369	38
73343317	29, 30	73343405	25	73343952	22	84083913	43	84302548	15
73343318	29, 30	73343406	25	73343953	22	84084324	48, 60, 61	84302549	15
73343319	29, 30	73343423	32	73343954	22	84084325	48	84302550	15
73343320	29, 30	73343424	32	73343955	22	84084326	48	84304459	36
73343321	29, 30	73343425	32	73343956	22	84084327	48, 50	84308822	14
73343322	29, 30	73343426	32	73344217	83	84084328	48, 62	84319322	48
73343323	29, 30	73343427	32	73344218	83	84084506	50	84319323	48
73343324	29, 30	73343428	32	73344219	83	84084507	50	84320021	60, 61
73343325	29, 30	73343429	32	73344220	83	84084525D	43	84320052R	74
73343326	29, 30	73343430	32	73344226	83	84084608	76, 78	84321360	35
73343327	29, 30	73343431	32	73344227	83	84084662	48	84328730	39
73343328	29, 30	73343432	32	73344228	83	84084664	48, 60, 61	84330239	54
73343329	29, 30	73343433	32	73344239	83	84084981	48, 61	84330250	54
73343330	29, 30	73343434	32	73344240	83	84095825	42, 58	84331698	54
73343331	31	73343435	32	73344241	83	84095827	43, 58	84332851	57, 77
73343332	31	73343436	32	73344242	83	84095829	43, 58	84332852	57, 77
73343333	31	73343437	32	73344246	83	84095830	43, 58	84332932	15
73343334	31	73343438	32	73344272	83	84095875	78	84333198	36
73343335	31	73343439	32	73344273	83	84095959	54, 55, 79	84339809	34, 35
73343336	31	73343440	32	73344274	83	84095964	54, 55, 79	84344828	78
73343337	31	73343441	32	73344277	83	84100965	60, 61	84346256	80
73343338	31	73343442	32	73344306	84	84110384	43, 59	84352638	55
73343339	31	73343443	32	73344307	84	84110386	59	84352643	55
73343340	31	73343453	14	73344308	84	84110390	43, 59	84355180	51, 63
73343341	31	73343454	14	73344349	82	84110554	4	84357171	79
73343342	31	73343455	14	73344350	82	84110799	38, 54, 64	84357173	79
73343343	31	73343456	14	73344351	82	84111532	50, 62	84357175	47
73343344	31	73343457	14	73344352	82	84111565	79	84357179	47
73343345	31	73343460	14	73344354	82	84111777	78	84358670	51, 63
73343346	31	73343468	13	73344356	82	84112166	57	84358675	54, 63
73343347	33	73343469	13	742134	50	84124301	43	84358676	54
73343348	33	73343484	27	742135	50	84124302	41	84359668	54, 63
73343349	33	73343485	27	801462	4	84126279R	74	84361624	35
73343350	33	73343486	27	82797030	46, 69	84130512	38	84366571	79
73343351	33	73343487	27	82797031	46, 69	84134152	15	84366573	43
73343352	33	73343488	27	82797032	46, 69	84136262R	75	84370020	79
73343353	33	73343489	27	82797033	46, 69	84136397	41	84370626R	74
73343354	33	73343490	27	82797034	46, 68	84139539	14	84370816	38
73343355	33	73343491	27	82797035	46, 68	84145229	37	84377479	79
73343356	33	73343492	27	84003093	57, 64	84149941	47	84378868	78
73343357	33	73343493	27	84030876	64	84151521	14	84385110R	74
73343358	33	73343494	27	84040942	79	84158455	6	84390107	36
73343359	33	73343570	83	84050227	50	84158659	51	84390110	36
73343360	33	73343747	83	84050230	58	84160116	15	84393551	15
73343361	33	73343749	83	84050397	47, 60, 61	84164300	19, 35	84394469	54, 63
73343362	33	73343847	22	84050430	54, 64	84176743R	75	84398840	80
73343363	33	73343848	22	84050431	54, 64	84178547R	74	84409530	54, 63
73343364	33	73343849	22	84050432	54, 64	84180489	78	84414488	52
73343365	33	73343850	22	84050433	64	84180491	78	84425641	38
73343366	33	73343851	22	84050434	64	84181669	78	84428568	50
73343367	33	73343852	22	84050436	49, 62	84185405	14	84429100	7, 8
73343368	33	73343853	22	84050437	58	84187122	79	84429101	7, 8
73343369	33	73343854	22	84050517	39, 44	84188401	14	84429102	7, 8
73343370	33	73343855	22	84050518	44	84191809	43	84432132	49, 60, 61
73343371	33	73343856	22	84050519	39, 45	84194089	79	84432256	49
73343372	33	73343857	22	84050520	39, 45	84196744	4	84434370	43, 44
73343373	25	73343858	22	84050760	4	84196945R	74	84434371	44
73343374	25	73343859	22	84059809	76, 78	84196947R	74	84438888	77
73343375	25	73343860	22	84059851	94	84196948R	74	84444474	59
73343376	25	73343861	22	84059852	94	84196950R	74	84467097	50
73343377	25	73343862	22	84059853	94	84203782	36	84467282	8
73343378	25	73343863	22	84060079	47	84203788	36	84467292	8
73343379	25	73343864	22	84060218	51	84222993	39	84470356	54
73343380	25	73343866	22	84060286	54, 79	84224646R	74	84476273	54
73343381	25	73343867	22	84060985	43	84225343	55	84480203	38
73343382	25	73343868	22	84060988	43	84229083	4	84492611	54
73343383	25	73343869	22	84060997	39, 45	84232752	57	84493494	55
73343384	25	73343870	22	84060998	39, 45	84238185	79	84494074	14
73343385	25	73343871	22	84067682	47, 61, 63	84238188	79	84495517	55

Part No.	Page	Part No.	Page	Part No.	Page	Part No.	Page	Part No.	Page
84499357	43	86974251	44	87298836	42	87665920	42	B96538	10
84499363	55	86977981	6	87298839	44	87665949	42	B96539	10
84499865	14	86977982	6	87298858	53	87702973	9	B96543	66
84511136	15	86978515	18	87298861	53	87723589	47, 62	B96544	70
84529552	51	86978716	17	87298862	53	87723591	47, 62	B96548	66
84543491	7, 8	86978717	17	87298863	53	87723597	47, 62	B96549	10
84558354	79	86979509	94	87298867	10	87723599	47, 62	B96552	10
84558358	79	86999889R	74	87298944	82	87724613	94	B96553	69
84558359	79	87011610	39	87298945	82	87724616	94	B96649NH	95
84572438	18	87012800	44	87298946	82	87728698	94	B96650NH	95
84572441	18	87014401R	74	87298947	82	87728899	6, 8, 9	B96652	70
84585643	7	87015706	9	87298954	10	87728905	6, 7, 9	B96655	69
84585644	8	87015708	9	87299139	95	87730925	14	B96656	41, 68
84585645	7	87019733	74	87299140	95	87730928	14	B96657	41, 68
84585646	8	87019736	74	87299163	82	87754060	78	B96658	41, 68
84585647	7, 8	87029633	43	87316675	79	89815614	15	B96676	41, 68
84585648	7	87034528	19	87318316	53	9560145	50	B96684	70
84585650	7	87045432	9	87318524	64	9560146	50	B96685	70
84585651	8	87105820	49	87329421	55	9560147	50	B97443	95
84585652	7	87109815	49	87331084R	74	9560148	50	BCNH6525M	93
84585653	8	87109817	49	87331435	51, 63	9613277	18	BCNH6527L	93
84585654	7	87109819	49	87331436	51, 63	9613278	18	BCNH6527XL	93
84585655	8	87109821	49	87333877	40	9613310	82	BN20001	91
84585656	8	87109824	49	87333878	40	9800346	45	BN5403E	82
84585657	8	87109826	49	87335398	78	9800347	45	BN6825L	93
84585659	8	87109828	48	87345998	49, 62	9824725	67	BN6825M	93
84585661	7	87109830	48	87354622	51	9824726	67	BNAC1330HEB	92
84585662	7	87109832	48	87372056	37	9826150	9	BNAC658HB	92
84585663	7	87109834	48	87372057	37	9845842	44	BNAC708RB	92
84588029	57	87109836	48	87375003	59	9845843	44	BNAC908HB	92
84590278	59	87109838	48	87377127	78	9861804DS	82	CNH14006TDS	55, 65
84590442	14	87109840	48	87396789	94	9861805DS	82	CNH14032ATDS	55, 65
84590644	39	87109842	48, 60, 61	87397234	54, 64	99432760R	74	ERT13830	90
84591343	39	87109848	48	87398718	35	B176279C91	18	ERT13860	90
84591349	39	87109850	48, 60, 61	87407598R	75	B93866	11	ERT13891	90
84591381	39	87283385	38	87442324	9	B93868	11	HW1450BXS	93
84591415	39	87283482	38	87442329	9	B94710	11	MC9000ER	91
84591418	39	87283504	54, 64	87470018	7, 8	B94712NH	11	MN1515EN	91
84591441	39	87297080	5	87470186	7	B94986	77	MN2765HAHW	91
84591456	39	87297082	5	87470187	7	B95573	16	MN317RX	91
84591486	39	87297083	5	87470188	7, 8	B95574A	16	MN4013HA	91
84591487	39	87297085	5	87477345	38	B95581NH	19	MN5401	82
84592020	39	87297086	5	87477346	38	B95582	16	MN5403	82
84592086	39	87297087	5	87483229	5	B95583A	35	MN6000M	93
84592391	39	87297093	5	87488259	57	B95584A	35	MN6000XL	93
84592392	39	87297094	5	87489141	79	B95585A	35	MN6050L	93
84597804	39	87297096	5	87495865	56	B95623	35	MN6050M	93
84599540	15	87297097	5	87495906	56	B95624	11	MN6050XL	93
84599541	15	87297099	5	87499724	54, 64	B95644	11	MN6200L	93
84599542	15	87297100	5	87515612	79	B95645	11	MN6300L	93
84604338R	74	87297103	5	87517559	35	B95756NH	77	MN6855L	93
84800493	61	87297104	5	87518192	58	B95759NH	77	MN6855XL	93
84807563R	74	87297110	5	87518983R	74	B95763NH	77	MN6900L	93
84819680R	74	87297111	5	87522725	78	B95764NH	77	MNW27R	92
84819681R	74	87297112	5	87522979	80	B95785S	81	MNW27RN	92
849717	70	87297113	5	87522980	80	B95786S	81	MNW365HR	92
849718	70	87297135	5	87528030	18	B95787	81	MNW37RT	92
84972794	78	87297782	41	87528033	18	B95788	81	SN4672NAA	96
84976914	35	87297783	41	87528034E	18	B95789	81	SP1300181	76
84989436	61	87297786	46	87528035E	17, 18	B95856NH	11	SP1706591	76
86503255	45	87297788	46	87528036E	18	B95857	11	TWX4113	96
86503256	45	87297791	40	87530969	78	B95872	11	TWX4145B	96
86512697	45	87297793	37	87552425	43	B95920	82	ZAE31100131	89
86512698	45	87297797	40	87552426	43	B96153A	35	ZAEAOM713	88
86521287	63	87297799	52	87557059	19	B96154ANH	16	ZAECEC25HD	88
86523386	18	87297800	52	87565749	42	B96155ANH	16	ZAECEC75HD	88
86523414R	74	87297801	52	87583590	80	B96170	17	ZAEJHD1130HD	87
86567237	39	87297804	47	87583592	80	B96171	17	ZAEJHD1630HD	87
86581042	39	87297808	52	87583911	80	B96176	17	ZAEJHD1635BTHD	87
86587787	9	87297811	52	87591220	64	B96177	17	ZAEJHD36AHDMIC	87
86594015	39	87297854NH	77	87601413	74	B96178	17	ZAEJHD40BTHD	87
86594016	39	87297870	41	87606697R	75	B96193	68	ZAEJHD910BTHD	87
86603486	55	87297872	40	87616336	47, 60, 61	B96195	71	ZAEJHD910HD	87
86615982	9	87297874	52	87620557	56	B96196	71	ZAEJHD910PKGHD	87
86615984	9	87297875	40	87625761	62	B96198	71	ZAEVCMS17B	88
86616527	6	87297876	77	87637838	56	B96199	71	ZAEVCMS50I	88
86616528	6	87297938NH	10	87646627	61	B96203	41, 68	ZAEVOM74TQ	88
86616529	6	87297976	42	87649725	42	B96204	41, 68	ZAEVOS7MDCL1B	88
86616689	6	87298058	77	87649751	42	B96205	41, 68	ZAEVOS7MDCL2B	88
86616692	6	87298401	15	87653455	64	B96206	46, 68	ZAEVOS7MDCL2Q	88
86616693	6	87298402	15	87655633	42	B96508	81	ZAEVOSHD4MNTHD	88
86623223	52	87298404	15	87655990	42	B96515	67	ZAEVWVOMS130AP	89
86705199	14	87298405	15	87659982	42	B96517	67	ZAEVWVOMS541AP	89
86705508	14	87298406	15	87662984	51	B96519	67	ZAEVWVOM713AP	89
86900832	6	87298560	81	87663021R	75	B96522	69	ZAEVWVOS541AP	89
86900833	6	87298561	81	87663841	7, 8	B96525	69	ZAEVWVOS7MDCL1B	89
86900834	6	87298562	81	87664012	42	B96530	70	ZTN87855	80
86900835	6	87298563	81	87665910	42	B96534	69	ZTN87858	80

Sold and Serviced By:

For the latest product information,
stop by your local New Holland dealer or visit:
www.MyCNHiStore.com



PM-21205 Issued 1/2022 Replaces: PM-18311

©2022 CNH Industrial America LLC. All rights reserved. New Holland is a trademark registered in the United States and many other countries, owned by or licensed to CNH Industrial N.V., its subsidiaries or affiliates. CNH Industrial Genuine Parts is a trademark in the United States and many other countries, owned by or licensed to CNH Industrial N.V., its subsidiaries or affiliates. www.newholland.com/na